

Product information sheet ZENAR XL 6 S-F

Item no. 527191

Benefits



- Particularly large bowl with spacious draining board
- Tap ledge across the entire width offers plenty of space
- Functional area with flowing transition to draining board
- Optional functional accessories are available
- High-quality features with drain remote control, covered C-overflow and InFino drain system – elegantly integrated and extremely easy-care
- Flushmount version

Colours



Available colours:

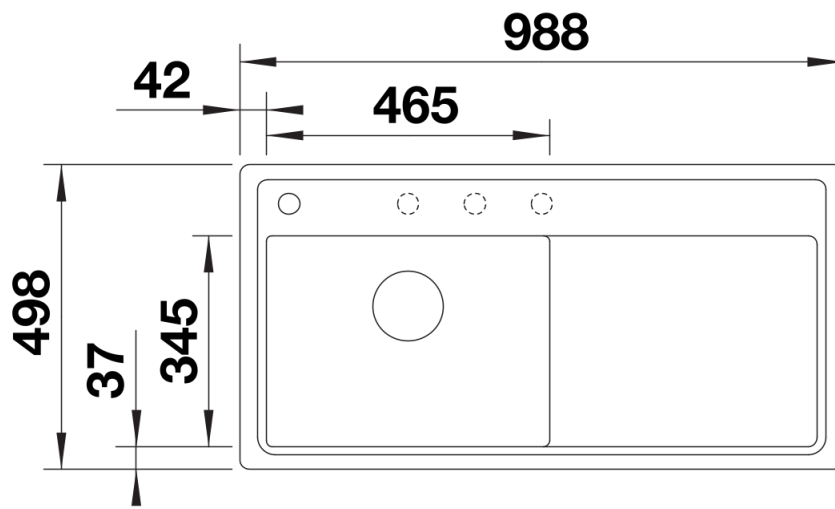
black
anthracite
rock grey
volcano grey
white
soft white
coffee

SILGRANIT soft white

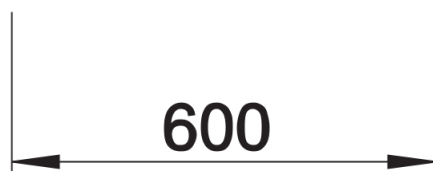
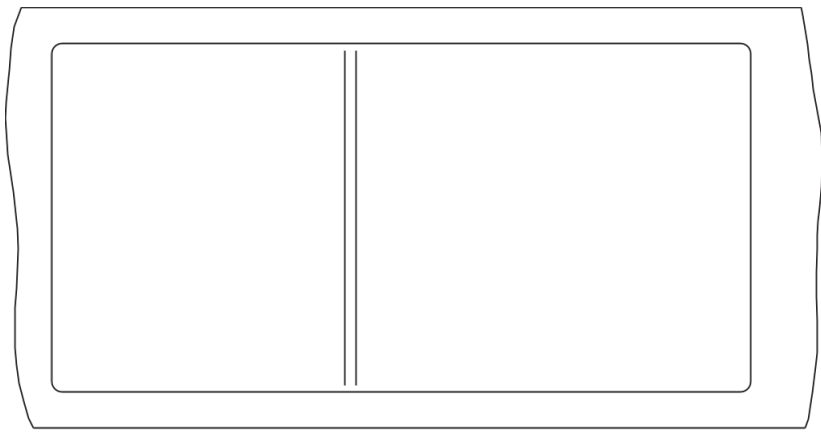
Scope of supply

- waste kit with space-saving pipe
- 3 ½" InFino basket strainer with drain remote control (rotary switch)

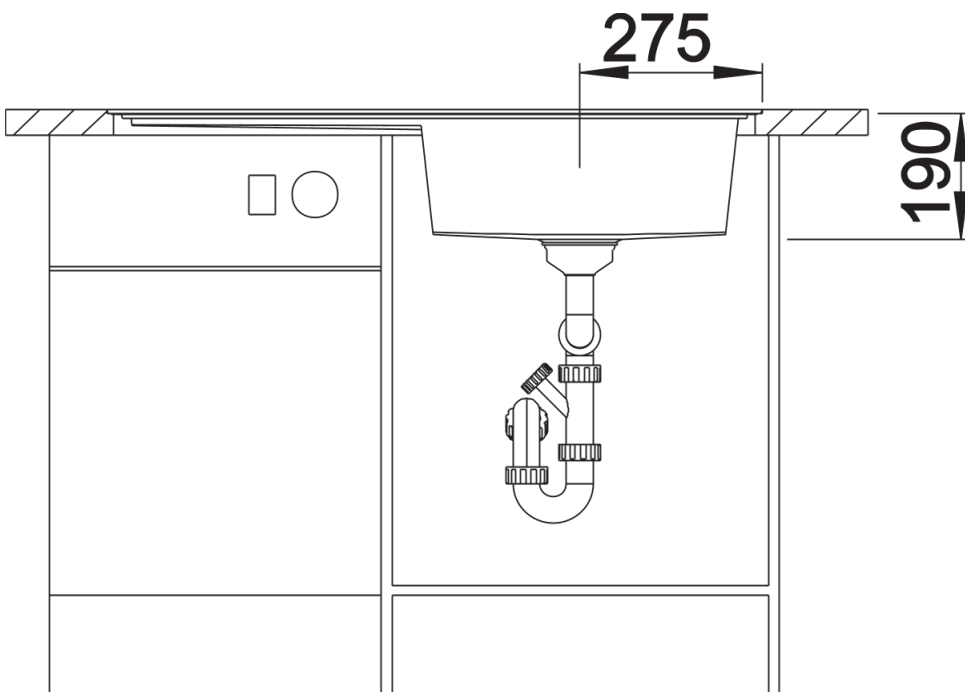
Details



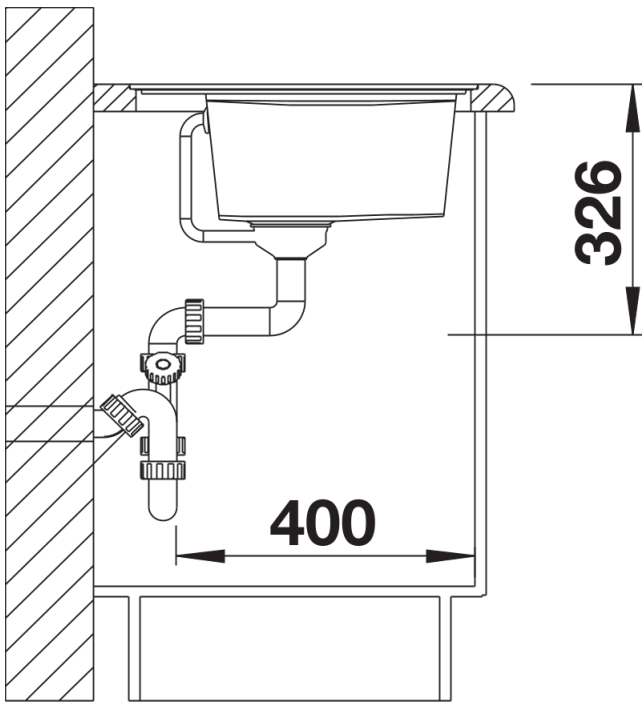
Top view



Cut-out



Front view



Side view