

Product information sheet ETAGON XL 6 S

Item no. 528099

Benefits



- Staggered sink with added functionality and spacious draining board
- Integrated step creates an additional functional level
- Clever system concept with versatile ETAGON rails
- High-quality features with the covered C-overflow and InFino drain system – elegantly integrated and easy-care
- Installation from above, with elegant, low-profile rim and continuous tap ledge

Colours



SILGRANIT soft white

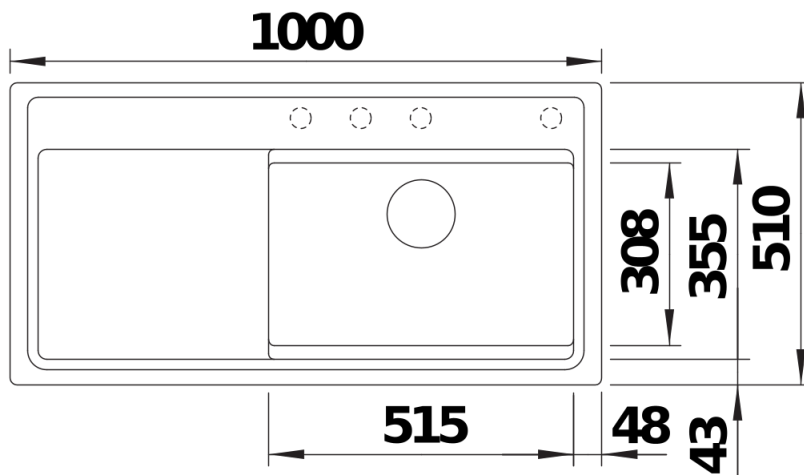
Available colours:

- black
- anthracite
- rock grey
- volcano grey
- white
- soft white
- tartufo
- coffee

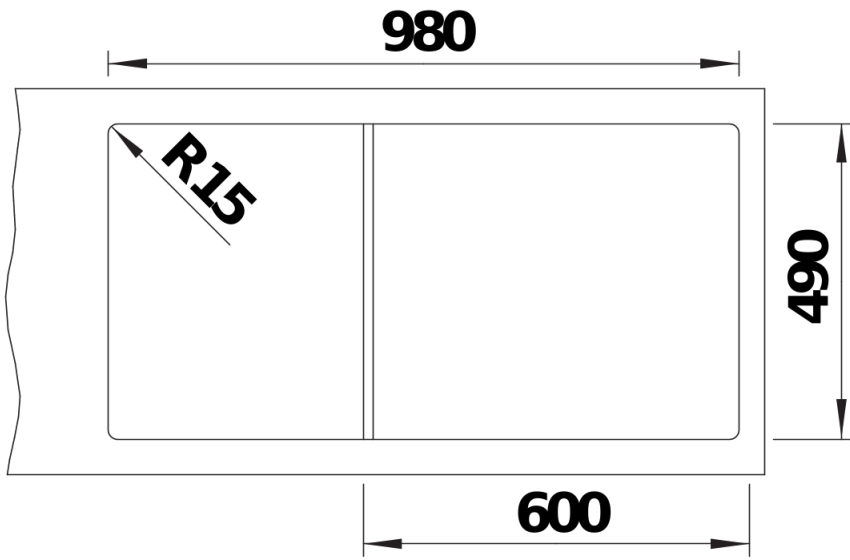
Scope of supply

- 2 x ETAGON rails in stainless steel
- waste kit with space-saving pipe
- 3 ½" InFino basket strainer with drain remote control (PushControl)

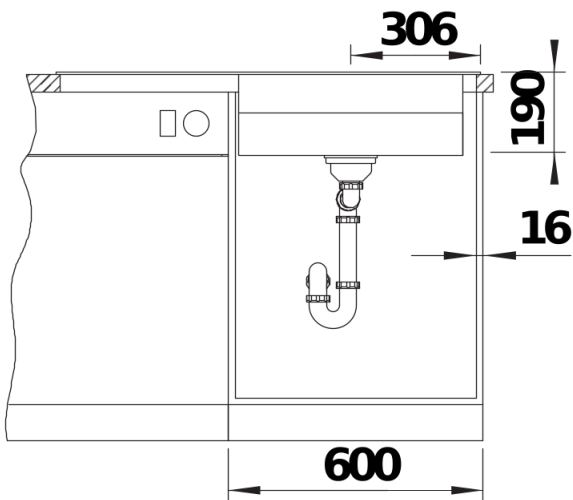
Details



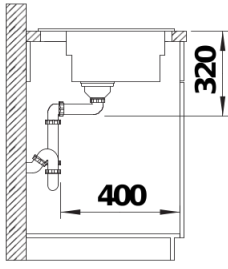
Top view



Cut-out



Front view



Side view