

## Product information sheet ETAGON XL 6 S-F

Item no. 528104

### Benefits

---



- Staggered sink with added functionality and spacious draining board
- Integrated step creates an additional functional level
- Clever system concept with versatile ETAGON rails
- High-quality features with the covered C-overflow and InFino drain system – elegantly integrated and easy-care
- Flushmount version

## Colours

---



SILGRANIT white

Available colours:

black  
anthracite  
rock grey  
volcano grey  
white  
soft white  
tartufo  
coffee

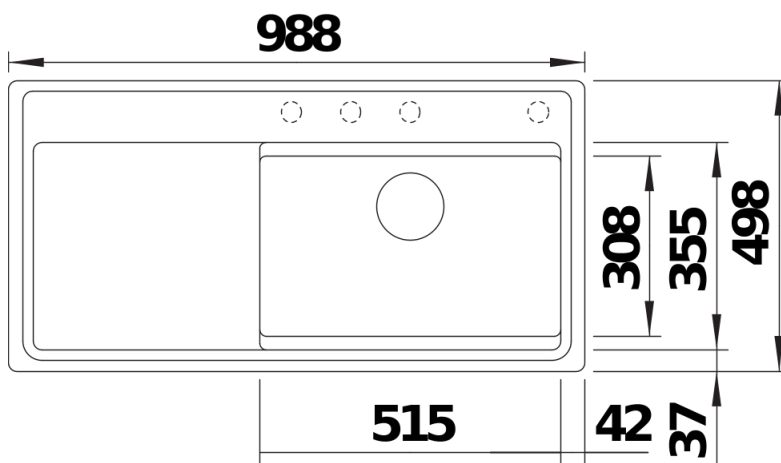
## Scope of supply

---

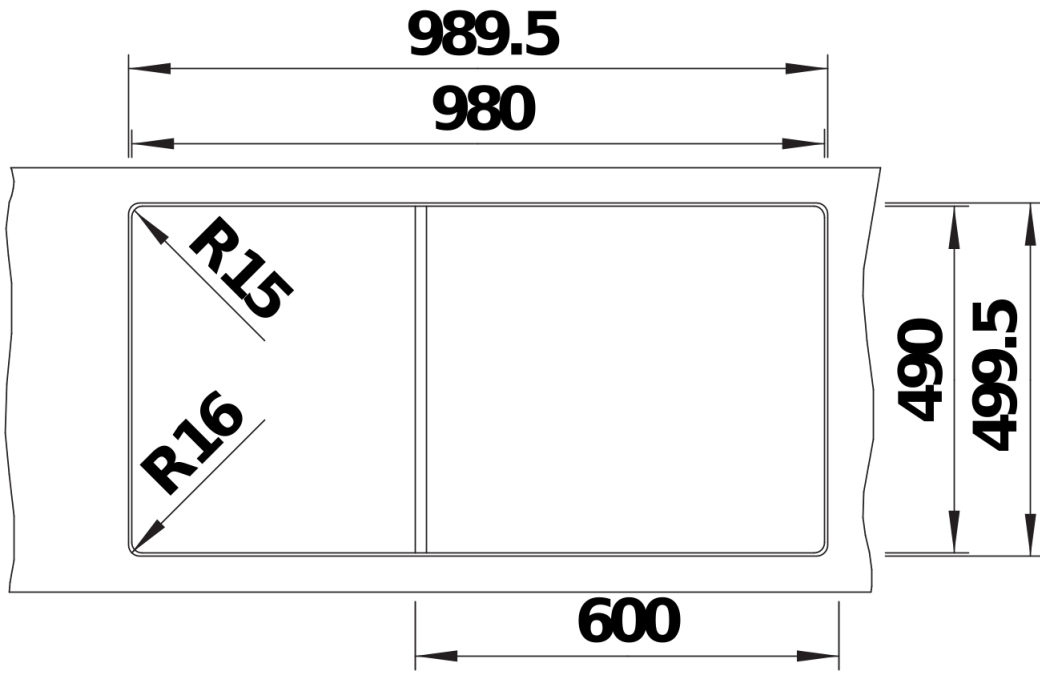
- 2 x ETAGON rails in stainless steel
- waste kit with space-saving pipe
- 3 ½" InFino basket strainer with drain remote control (PushControl)

## Details

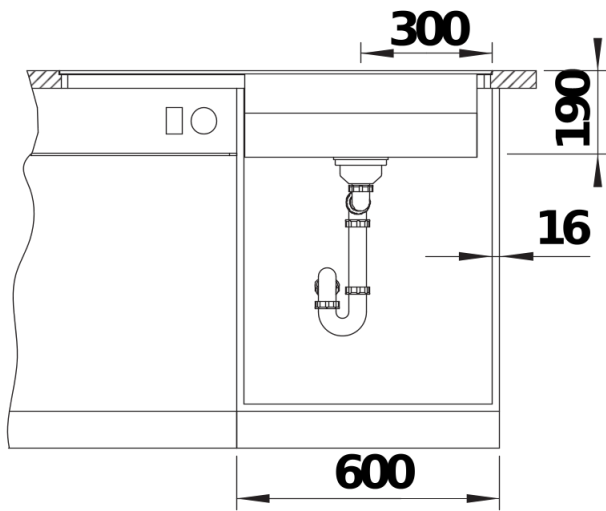
---



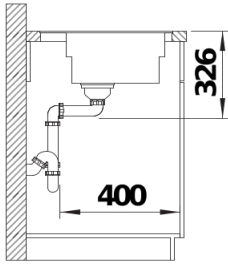
## Top view



Cut-out



Front view



Side view