

Product information sheet ANDANO 400-IF/A

Item no. 522993

Benefits



- Unique composition of optical and functional elements
- The harmonious interplay between the radii and surface design creates a modern appeal
- Elegantly designed wet area with an integrated tap ledge in just one worktop cutout
- High quality features consisting of a covered Coverflow and InFino drain system gracefully integrated and easycare
- Large bowl capacity and fully utilisable base
- Optional premium accessories are available

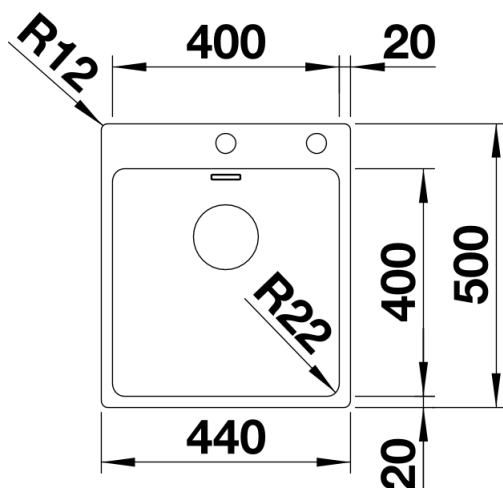
Planning information

- Additional drill hole possible for the individual 400IFA 500IFA and 700IFA bowls The subsequent drill hole should be carried out by a specialist company
- With the double bowls 340180IFA 340340IFA and 400400IFA additional drle hole is not possible

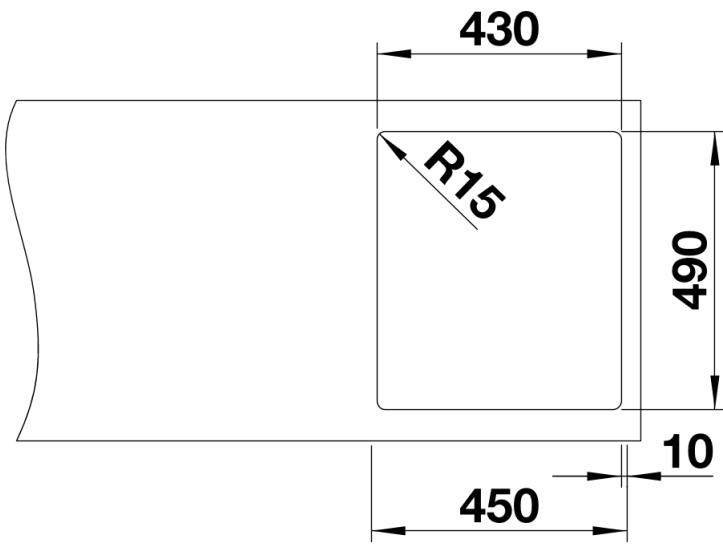
Scope of supply

- waste kit with spacesaving pipe
- 3 ½ InFino basket strainer with drain remote control popup
- fixing kit

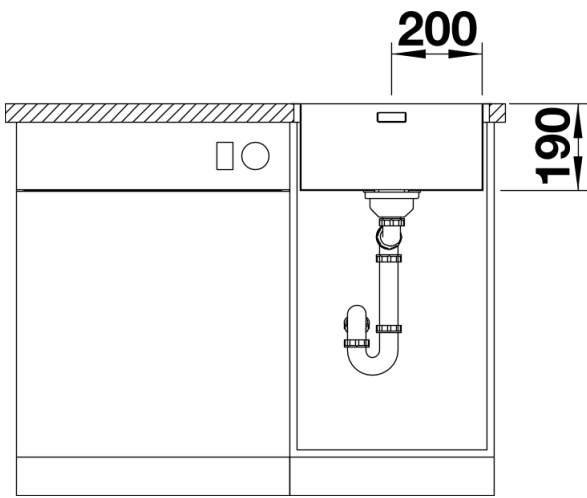
Details



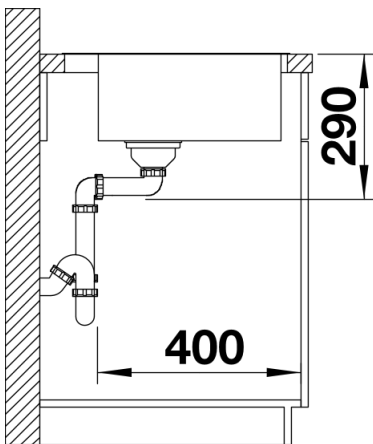
Top view



Cut-out



Front view



Side view