

Product information sheet ANDANO 340/180-IF

Item no. 522973

Benefits



- Unique composition of optical and functional elements
- The harmonious interplay between the radii and surface design creates a modern appeal
- High quality features consisting of a covered Coverflow and InFino drain system gracefully integrated and easycare
- Large bowl capacity and fully utilisable base
- Elegant IF flatrim for flushmount and for installation from above
- Optional premium accessories are available

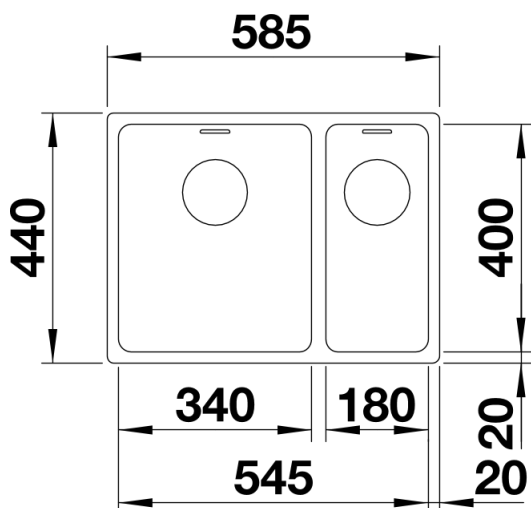
Planning information

- Flexible sealing tape is required when installing a kitchen mixer tap drain remote control or soap dispenser in laminate worktops item no 120 055
- Please note the cutout information for the respective installation method

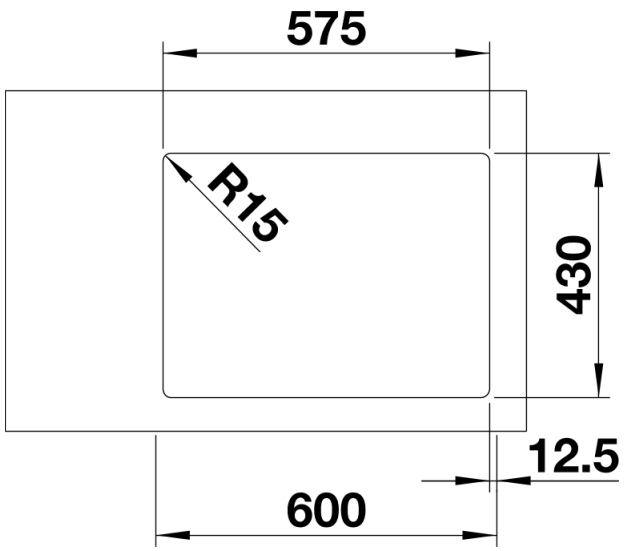
Scope of supply

- waste kit with spacesaving pipe
- 2 x 3 12 InFino basket strainer
- fixing kit

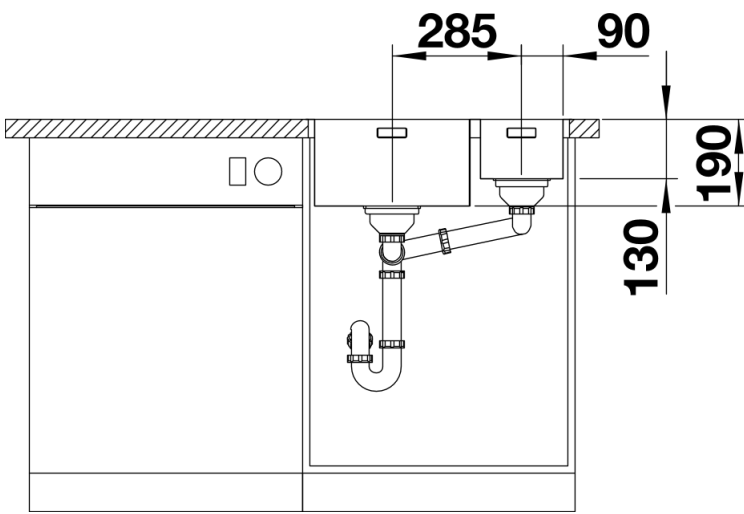
Details



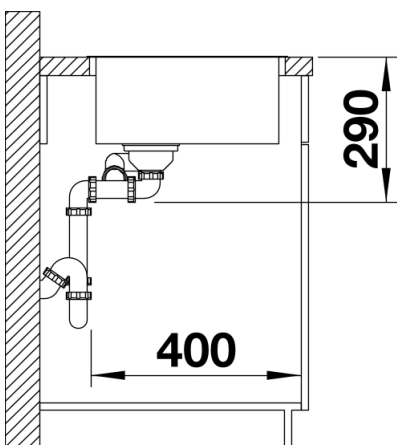
Top view



Cut-out



Front view



Side view