

## Product information sheet ANDANO 400/400-IF/A

Item no. 522998

### Benefits

---



- Unique composition of optical and functional elements
- The harmonious interplay between the radii and surface design creates a modern appeal
- Elegantly designed wet area with an integrated tap ledge in just one worktop cut-out
- High quality features consisting of a covered C-overflow™ and InFino™ drain system – gracefully integrated and easy-care
- Large bowl capacity and fully utilisable base
- Optional premium accessories are available

## Planning information

---

- No additional drill holes may be made.
- If using a soap dispenser, the drain remote control must be replaced by the soap dispenser and the InFino™ drain system with remote control replaced by an InFino™ manual drain system without remote control.
- Please contact us in case of queries – we will be glad to help.
- The item number for the InFino™ manual drain system without remote control is available on request.
- Cut-out information for all of the installation processes can be found in our internet download.

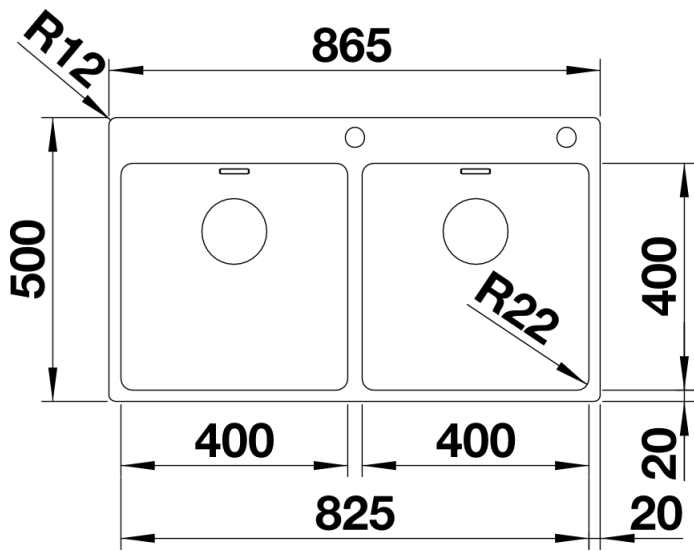
## Scope of supply

---

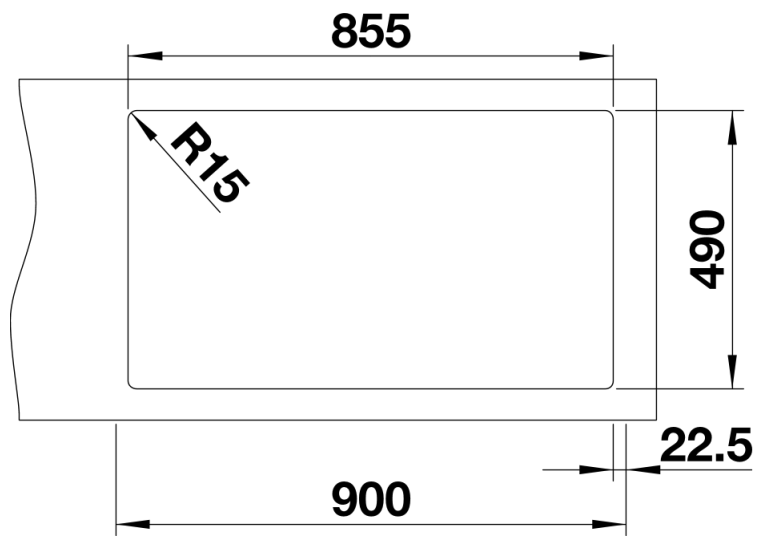
- waste kit with space-saving pipe, 2 x 3 1/2" InFino™ basket strainer with drain remote control (pop-up) for 1 bowl, fixing kit

## Details

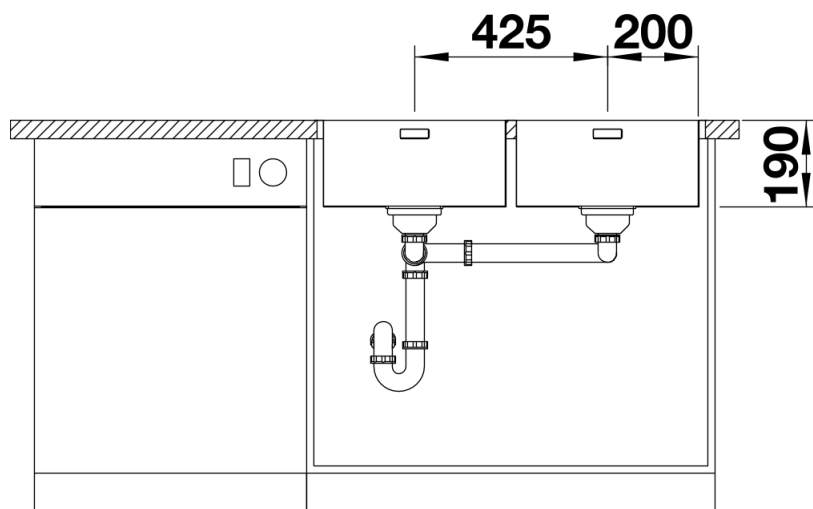
---



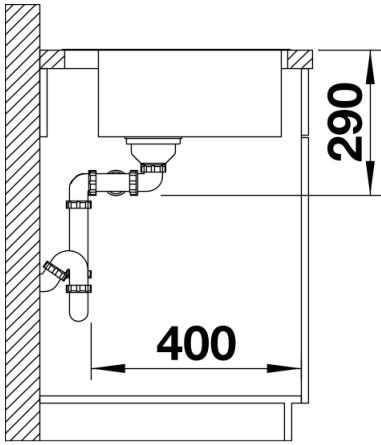
Top view



Cut-out



Front view



Side view