

Product information sheet CARENA-S Vario

Item no. 526172

Benefits



- Modern premium mixer tap
- Covered pull-out dual-spray hose with change-over function
- High arched outlet for easy filling of pots and vases
- High positioned, ergonomic control lever
- Bi-Color - the perfect colour match for SILGRANIT sink units and bowls

Colours



Available colours:

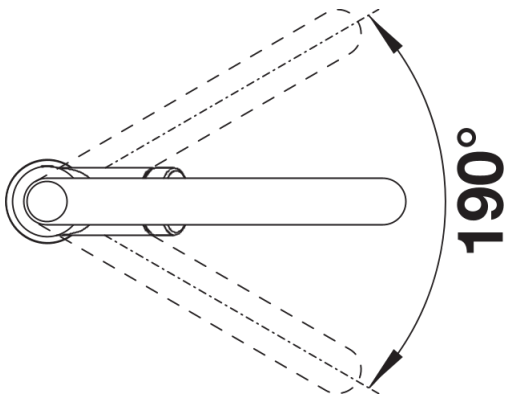
- black/chrome
- anthracite/chrome
- rock grey/chrome
- volcano grey/chrome
- alu metallic/chrome
- white/chrome
- soft white/chrome
- tartufo/chrome
- coffee/chrome

SILGRANIT Look dual finish black/chrome

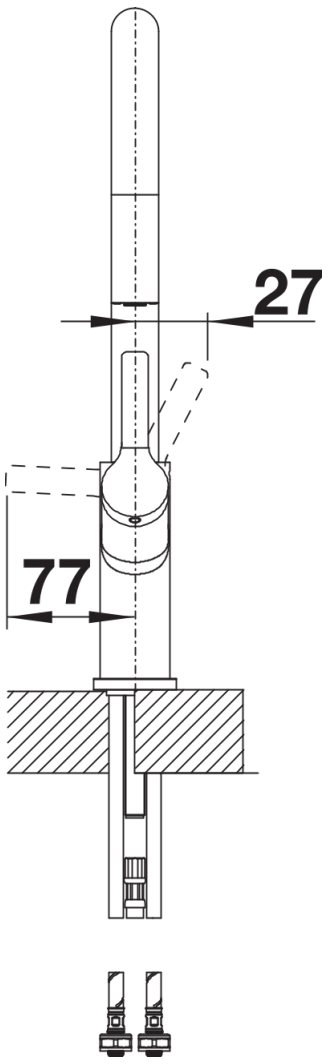
Scope of supply

- 190° swivel spout for greater reach
- Ø 35 mm tap hole required
- With ceramic disk cartridge
- Textile covered spray hose
- Covered spray hose with change-over button on the back
- Flexible connector pipes, 450 mm long and $\frac{3}{8}$ " nut for particularly easy installation
- Patented jet regulator for markedly reduced scaling
- Stabilisation plate to increase the stability of the tap when fitted in stainless steel sinks
- With non-return valve and thus guaranteed against reflux in accordance with EN 1717
- LGA approved
- DVGW approved

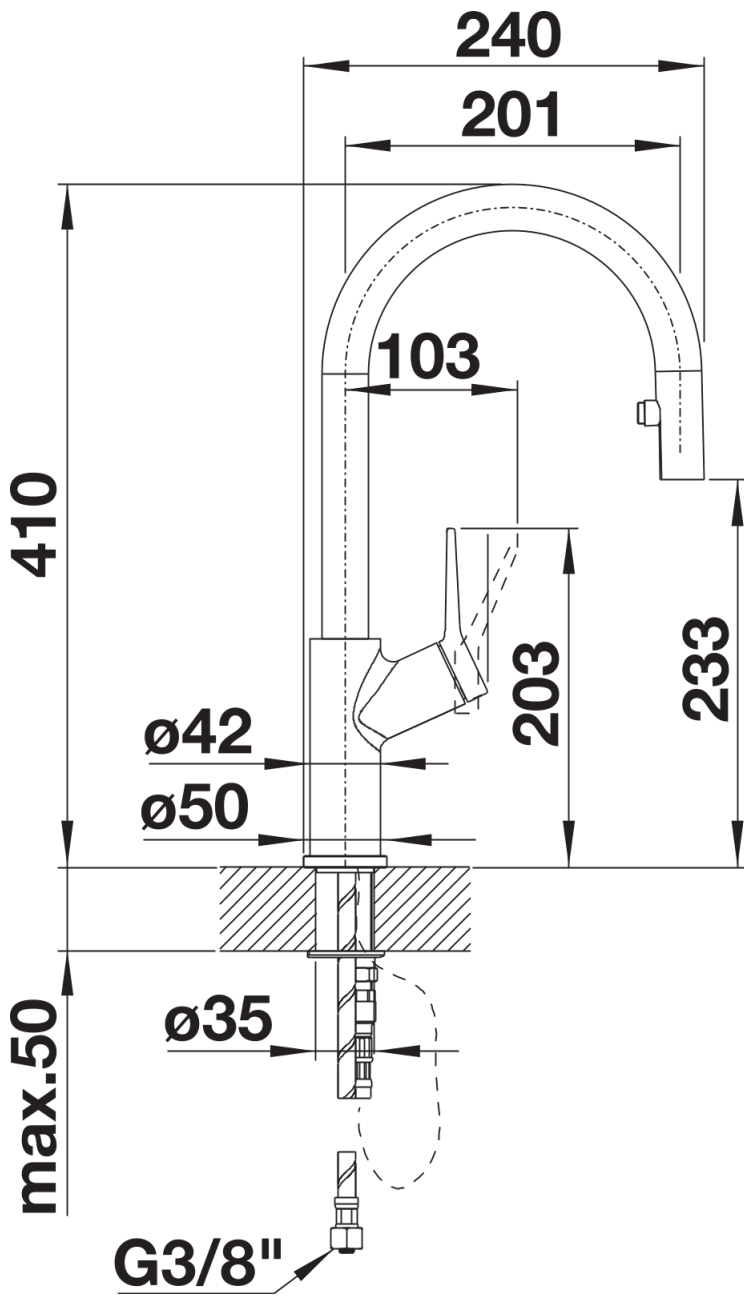
Details



Swivel range



Side view hand gear 2D



Side view