

Product information sheet CARENA-S Vario

Item no. 526172

Benefits



- Modern premium mixer tap
- Covered pull-out dual-spray hose with change-over function
- High arched outlet for easy filling of pots and vases
- High positioned, ergonomic control lever
- Bi-Color - the perfect colour match for SILGRANIT sink units and bowls

Colours



Available colours:

black/chrome

anthracite/chrome

rock grey/chrome

volcano grey/chrome

white/chrome

soft white/chrome

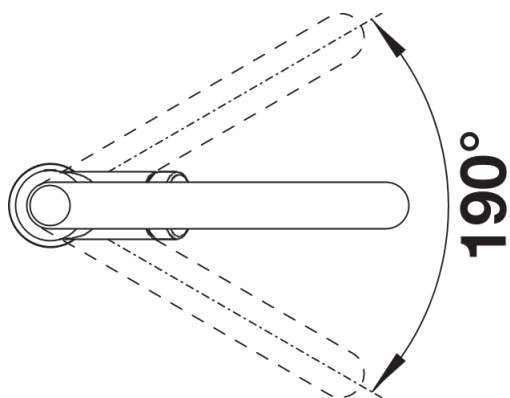
tartufo/chrome

SILGRANIT Look dual finish black/chrome

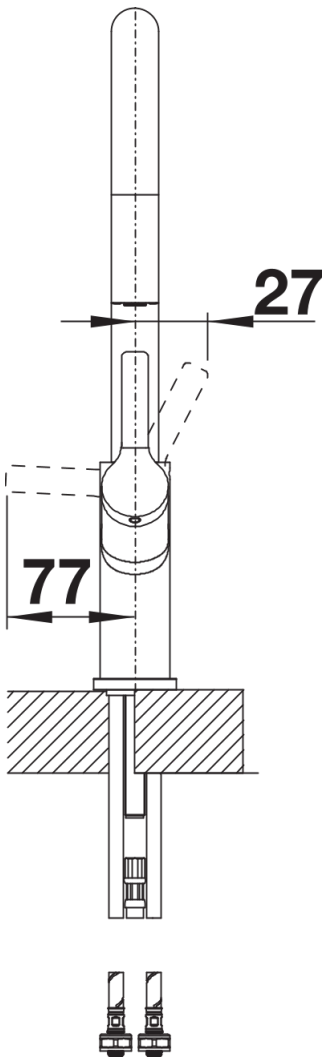
Scope of supply

- 190° swivel spout for greater reach
- Ø 35 mm tap hole required
- With ceramic disk cartridge
- Patented jet regulator for markedly reduced scaling
- Spray made of plastic
- Hidden spray with change-over button on the back
- Nylon-sheathed spray hose
- Hose weight for reliable retraction
- Flexible connector pipes, 500 mm long and $\frac{3}{8}$ " nut
- Stabilisation plate to increase the stability of the tap when fitted in stainless steel sinks
- With non-return valve and thus guaranteed against reflux in accordance with EN 1717

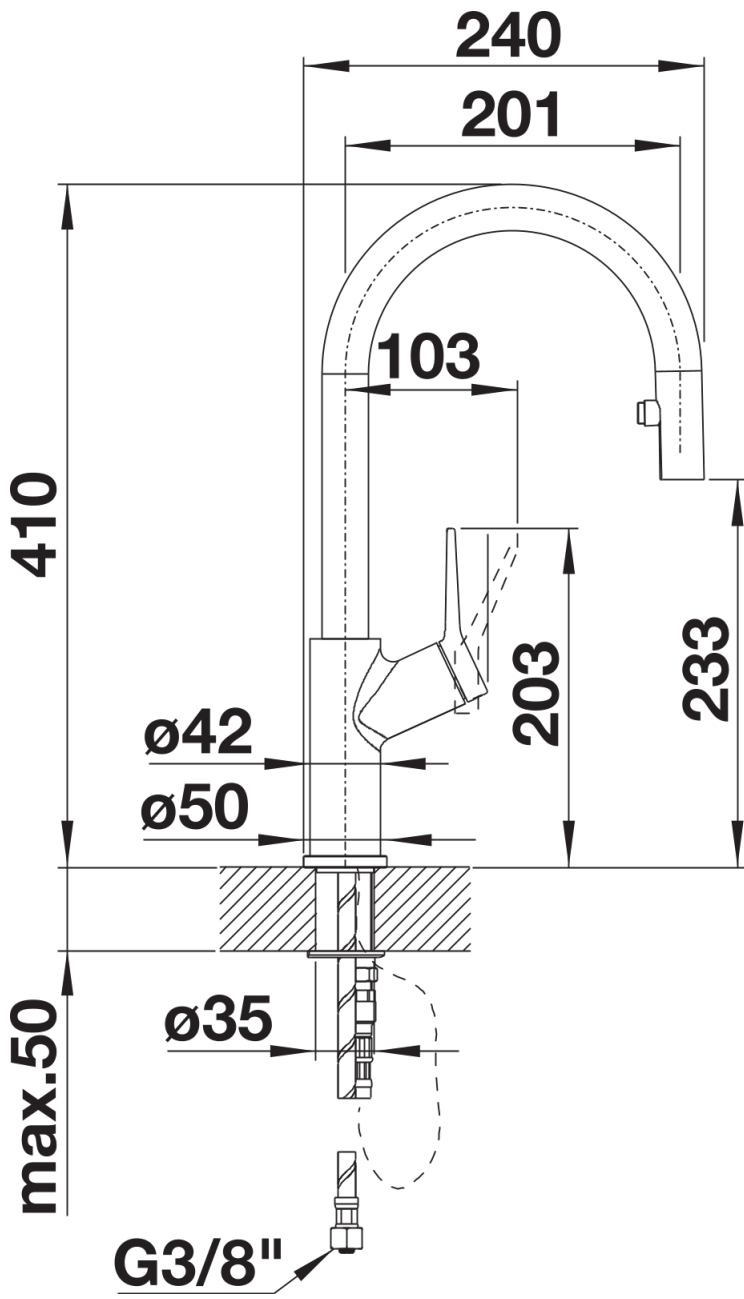
Details



Swivel range



Side view hand gear 2D



Side view