

Product information sheet CARENA

Item no. 520766

Benefits



- Modern premium mixer tap
- High arched outlet for easy filling of pots and vases
- High positioned, ergonomic control lever

Colours



Available colours:

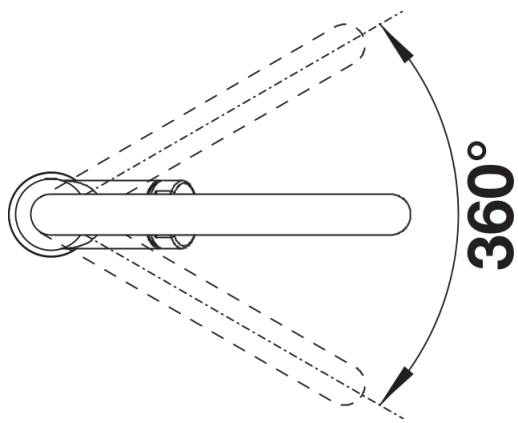
chrome

galvanic chrome

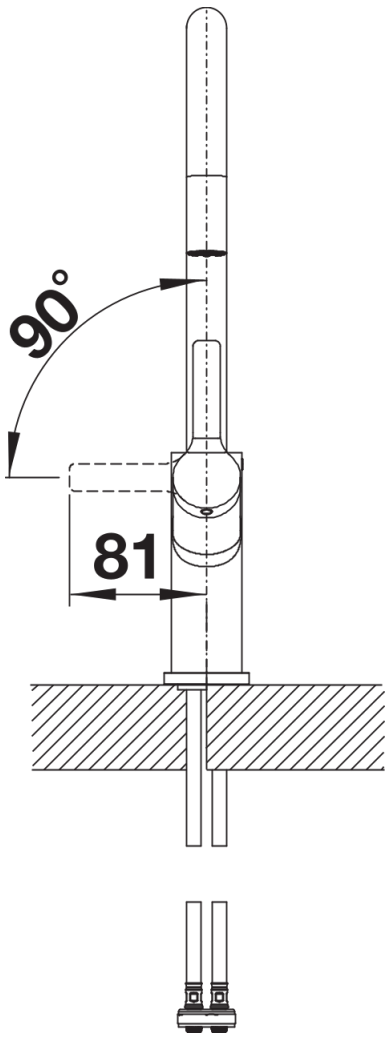
Scope of supply

- 360° swivel spout for greater reach
- Ø 35 mm tap hole required
- With ceramic disk cartridge
- Patented jet regulator for markedly reduced scaling
- Flexible connector pipes, 500 mm long and $\frac{3}{8}$ " nut
- Stabilisation plate to increase the stability of the tap when fitted in stainless steel sinks

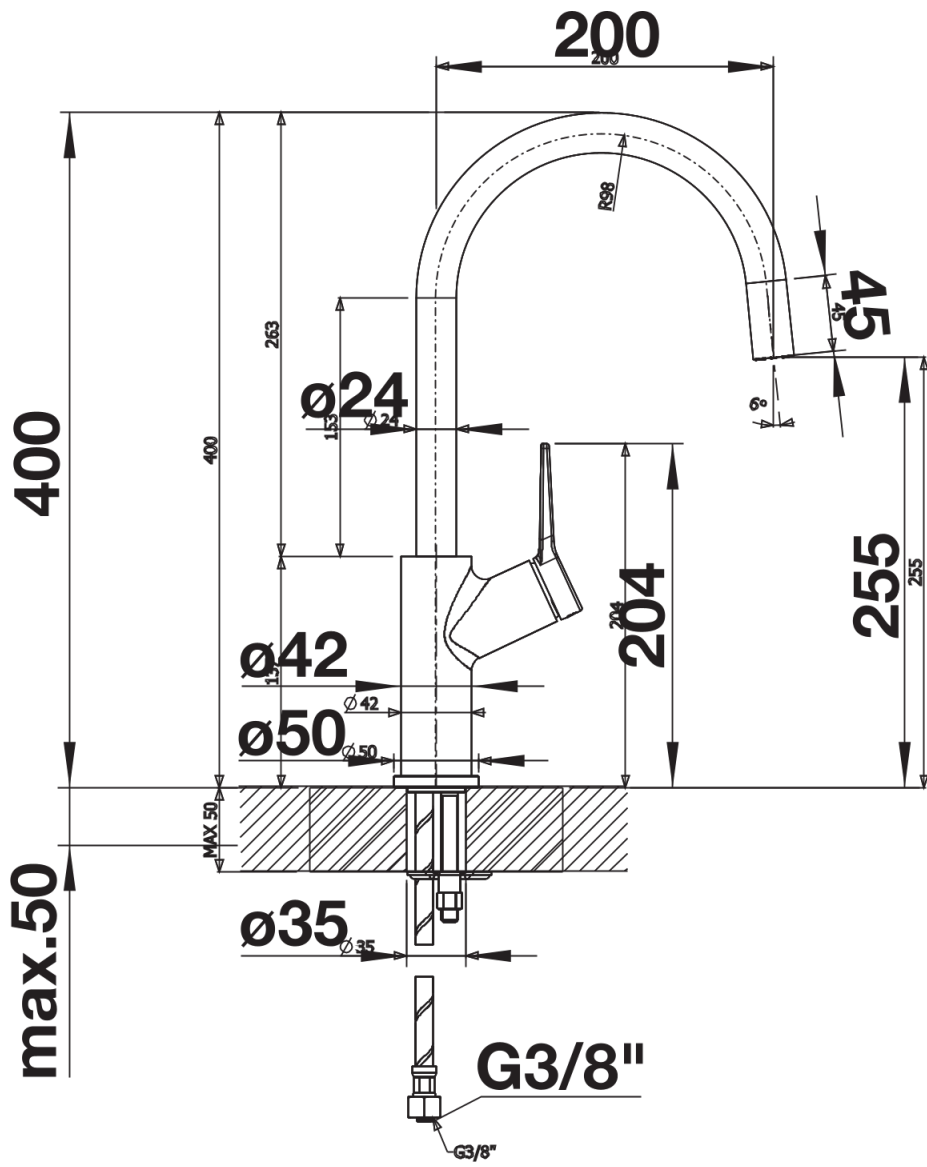
Details



Swivel range



Side view hand gear 2D



Side view