

Product information sheet SINGOLO-S

Item no. 512881

Benefits

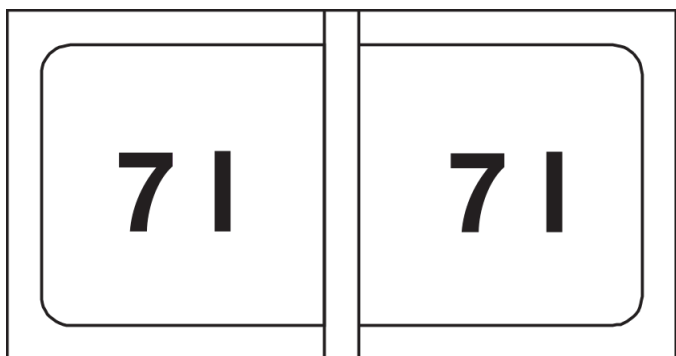


- Compact system for mounting directly on the cabinet door
- One model for 45 cm, 50 cm and 60 cm cabinets
- Bin can easily be removed by lifting upwards
- Opens up comfortably with the cabinet door
- Removable bin cover with placement area for lightweight implements i.e. sponges
- Continuously adjustable: also for panel doors
- Optional partition to divide the bin into two

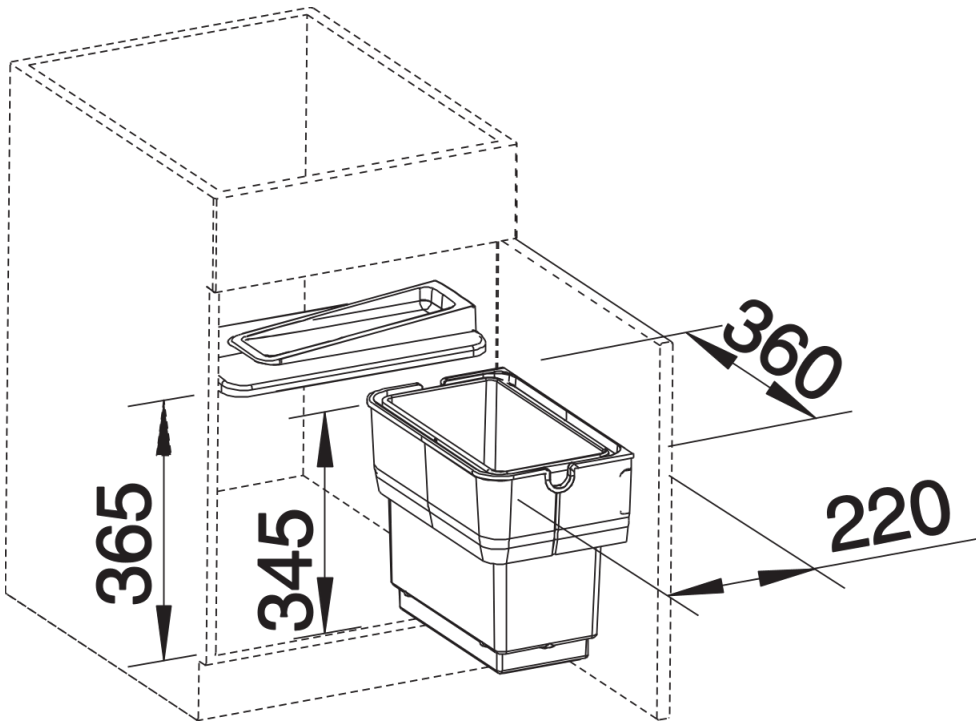
Scope of supply

- system for installation on hinged doors
- system cover
- 1 x 14 l bin
- bin divider

Details



Top view



PRODUKT_3D