

Product information sheet ZIA 5 S

Item no. 526016

Benefits



- Modern design with clear lines
- Straight-lined outer contour emphasised by the narrow rim
- Spacious bowl for comfortable working
- Characteristic tap ledge as a frame that enlarges the drainer

Colours



Available colours:

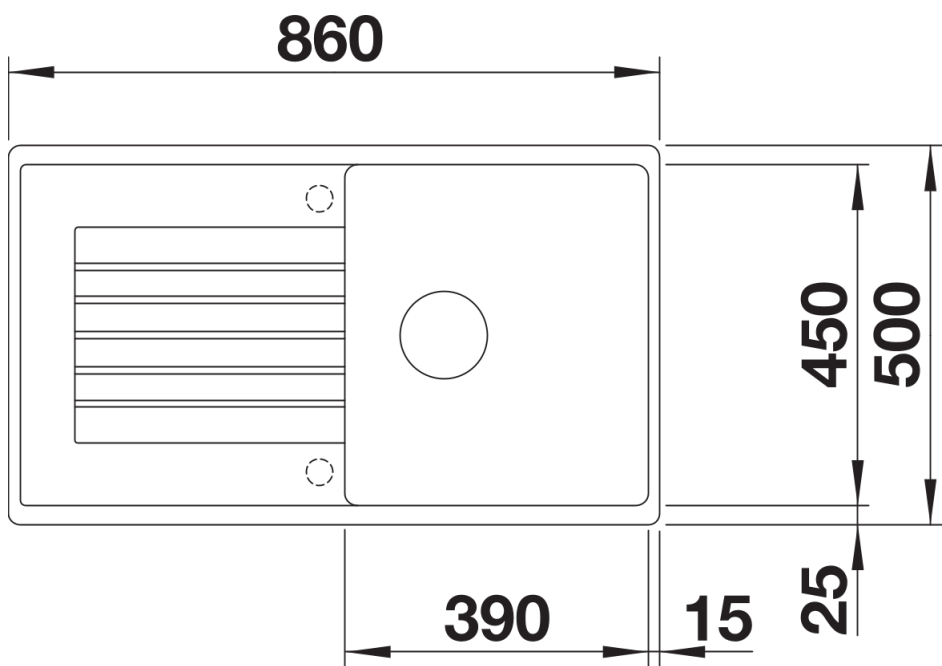
- black
- anthracite
- volcano grey
- alu metallic
- white
- soft white
- coffee

SILGRANIT black

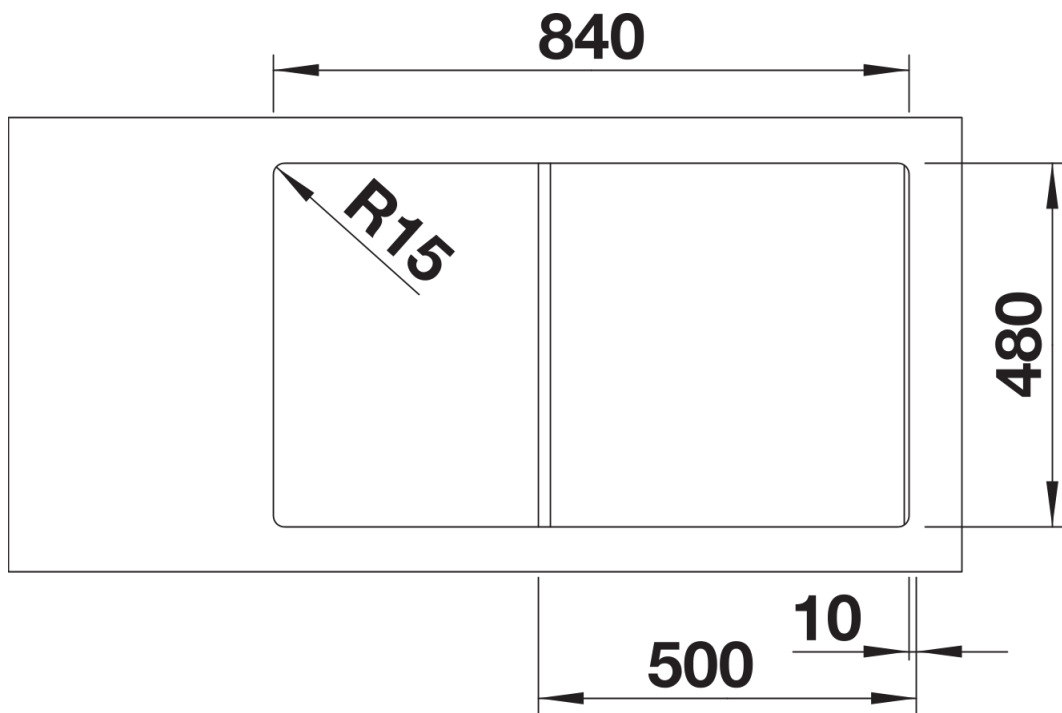
Scope of supply

- waste kit with space-saving pipe
- 3 1/2" basket strainer

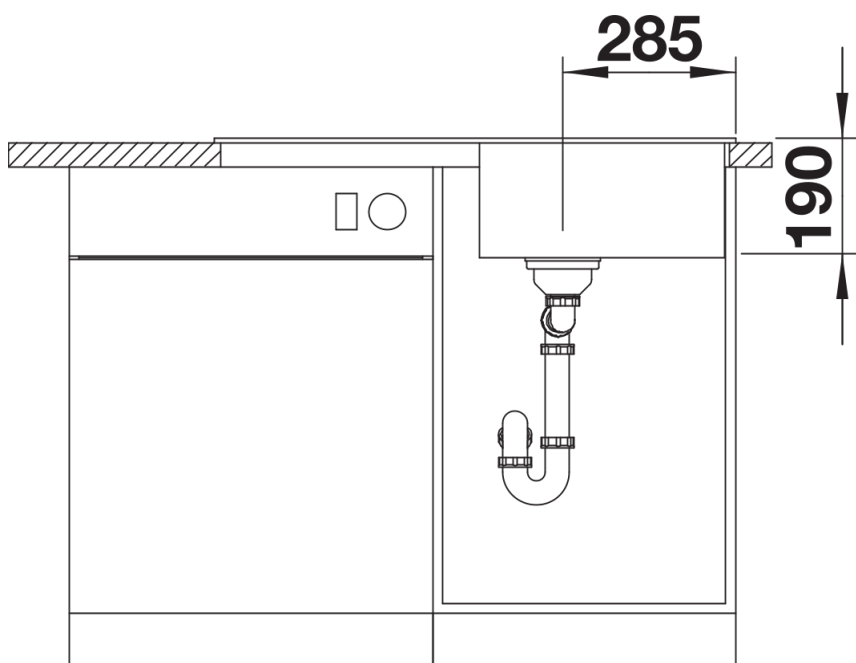
Details



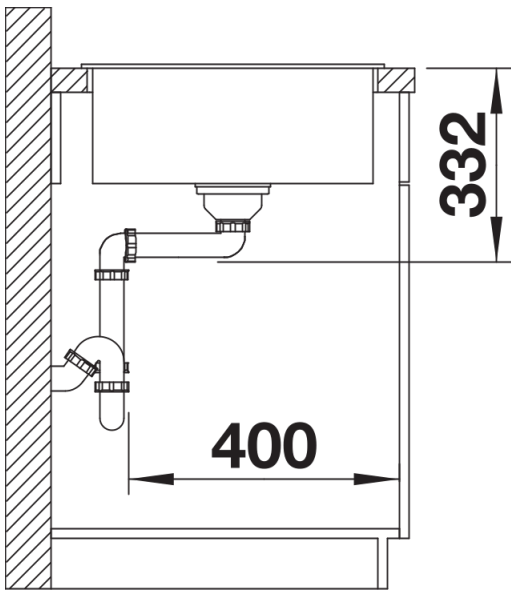
Top view



Cut-out



Front view



Side view