

Product information sheet ALTA Compact

Item no. 515120

Benefits



- Slim tap in aesthetic design
- Particularly for compact sinks
- The front part of the spout can be turned, making it easier to fill bottles
- 360° swivel spout for greater reach

Colours



Available colours:
chrome
stainless steel finish

galvanic chrome

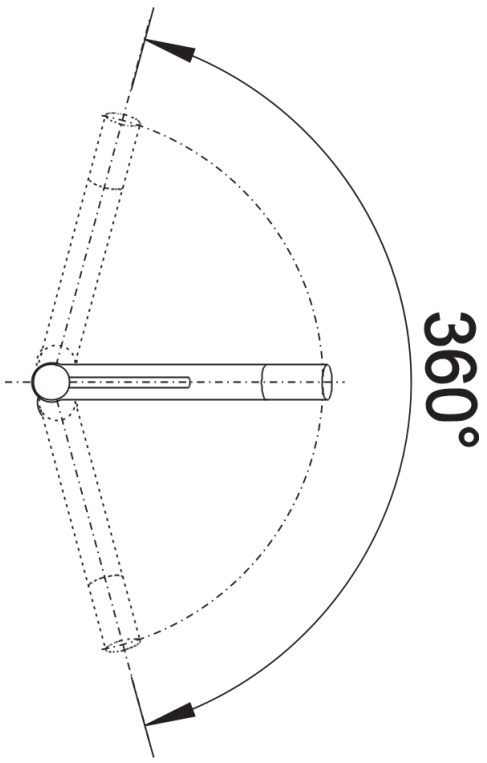
Planning information

- For ND version with flow rate control to protect the boiler.

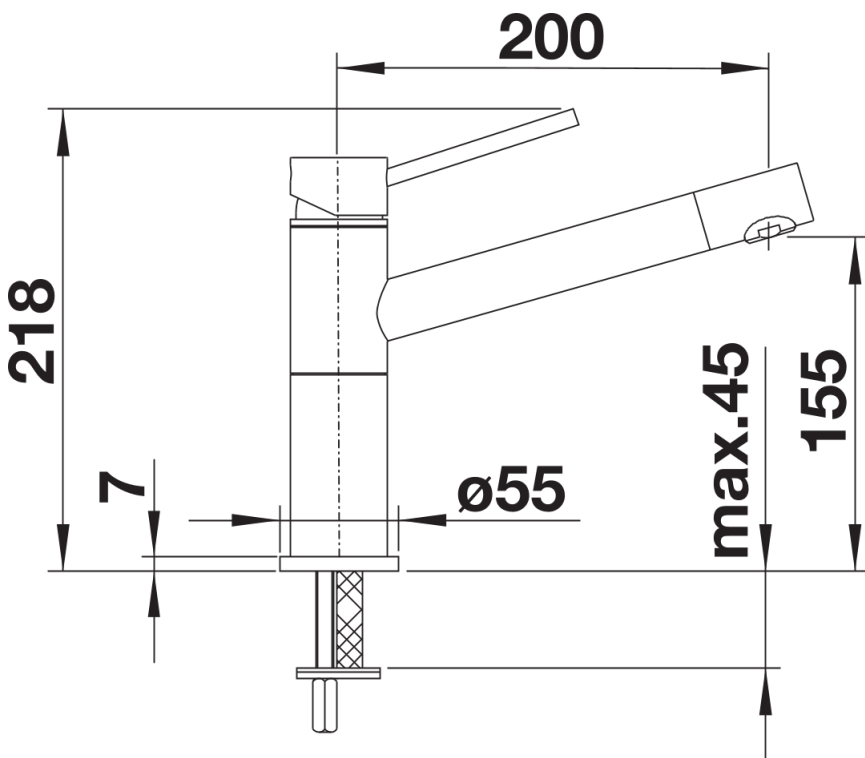
Scope of supply

- 360° swivel spout for greater reach
- Ø 35 mm tap hole required
- With ceramic disk cartridge
- Flexible 450 mm connector pipes and $\frac{3}{8}$ " nut for particularly easy and secure installation
- Patented jet regulator for markedly reduced scaling
- Stabilisation plate to increase the stability of the tap when fitted in stainless steel sinks
- LGA approved
- DVGW approved

Details



Swivel range



Side view