

Product information sheet ANDANO 340/340-U

Item no. 522983

Benefits



- Unique composition of optical and functional elements
- The harmonious interplay between the radii and surface design creates a modern appeal
- High quality features consisting of a covered C-overflow™ and InFino™ drain system – gracefully integrated and easy-care
- Large bowl capacity and fully utilisable base
- Optional premium accessories are available

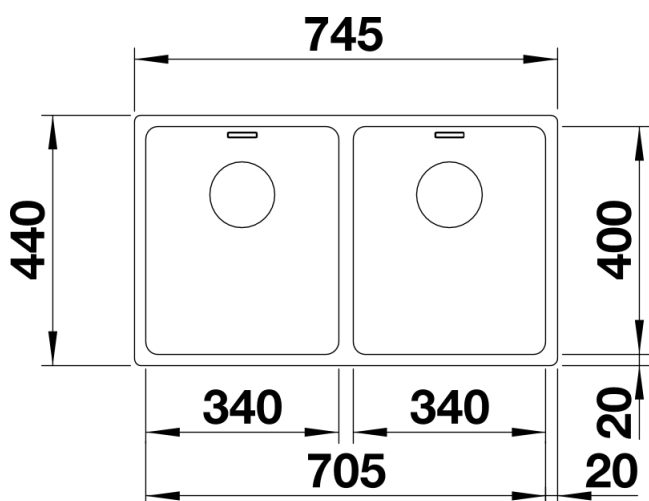
Planning information

- Flexible sealing tape is required when installing a kitchen mixer tap, drain remote control or soap dispenser in laminate worktops, item no. 120 055.
- Please note the cut-out information for the respective installation method.

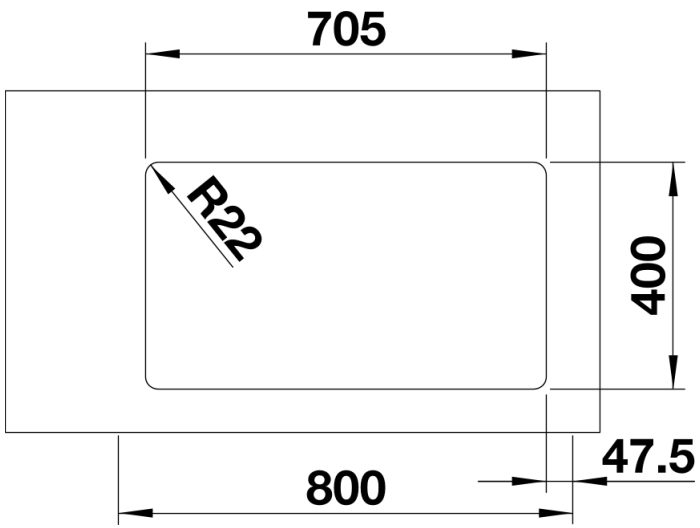
Scope of supply

- waste kit with space-saving pipe, 2 x 3 1/2" InFino™ basket strainer, fixing kit

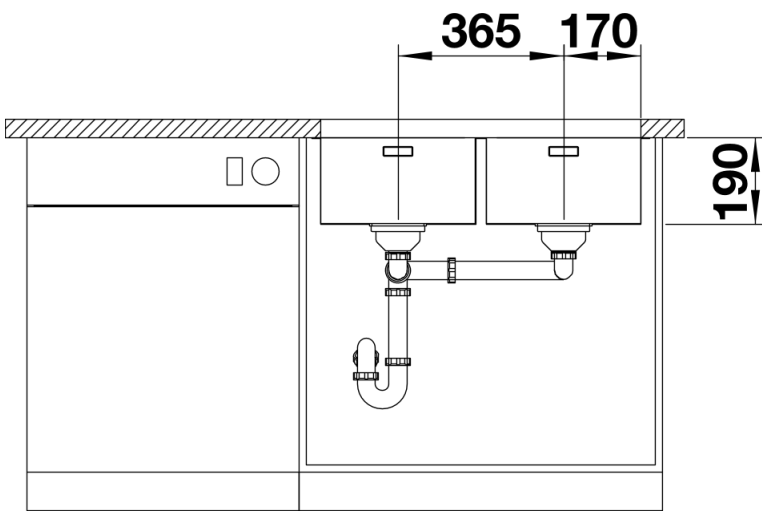
Details



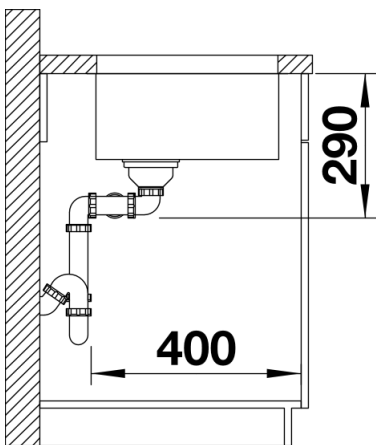
Top view



Cut-out



Front view



Side view