

Product information sheet ANDANO 500-U

Item no. 522968

Benefits



- Unique composition of optical and functional elements
- The harmonious interplay between the radii and surface design creates a modern appeal
- High quality features consisting of a covered C-overflow™ and InFino™ drain system – gracefully integrated and easy-care
- Large bowl capacity and fully utilisable base
- Optional premium accessories are available

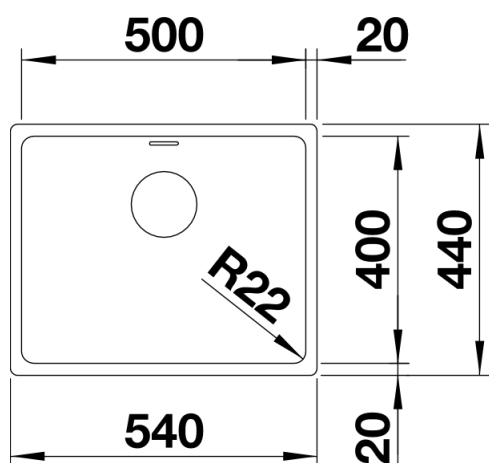
Planning information

- See p. 381 for the flexible sealing tape required for installing a kitchen mixer tap, drain remote control or soap dispenser in laminate worktops.
- Cut-out information for all of the installation processes can be found in our internet download.

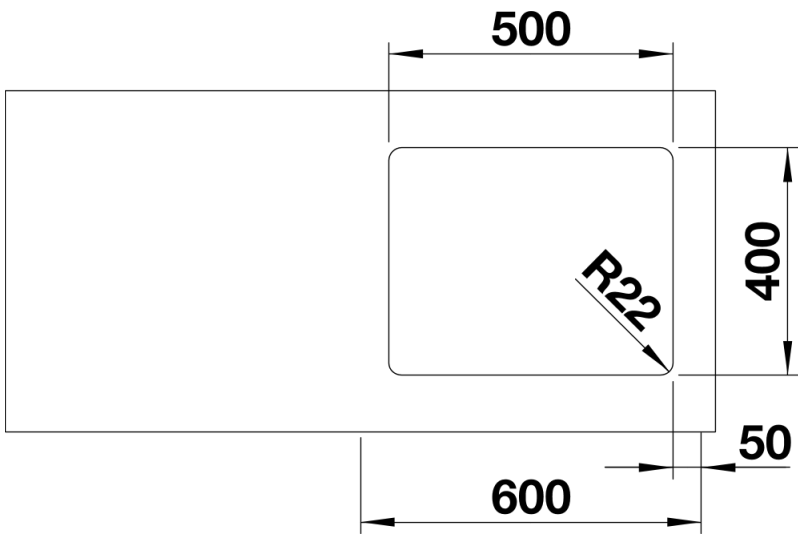
Scope of supply

- waste kit with space-saving pipe, 3 1/2" InFino™ basket strainer with drain remote control (pop-up, drill hole Ø 14 mm required), fixing kit

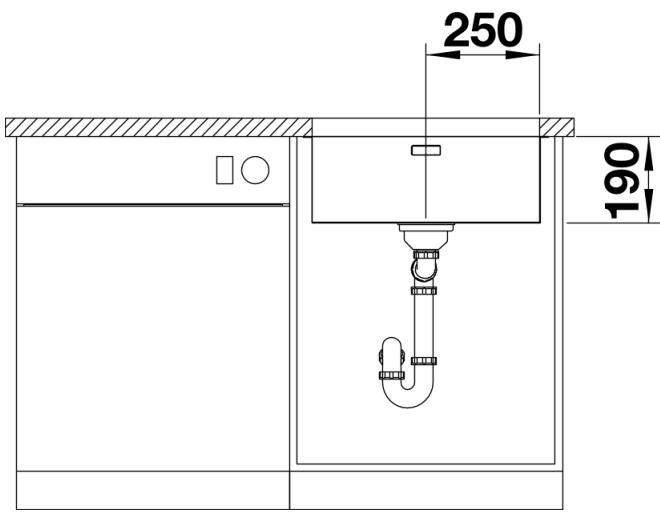
Details



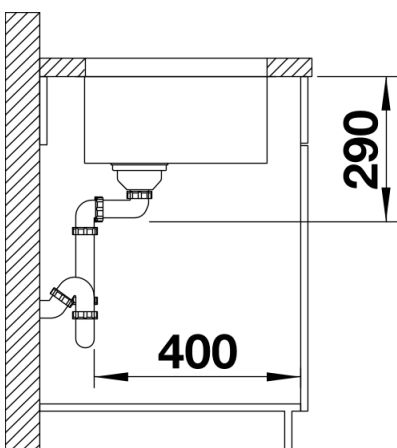
Top view



Cut-out



Front view



Side view