

Product information sheet ANDANO 400-U

Item no. 522960

Benefits

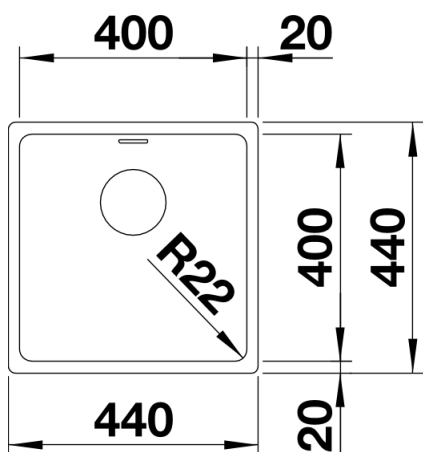


- Unique composition of optical and functional elements
- The harmonious interplay between the radii and surface design creates a modern appeal
- High quality features consisting of a covered C-overflow and InFino drain system – gracefully integrated and easy-care
- Large bowl capacity and fully utilisable base
- Optional premium accessories are available

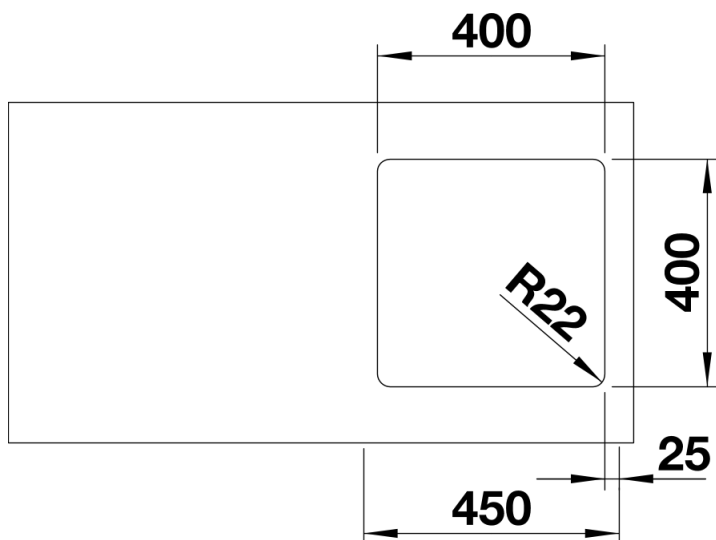
Scope of supply

- waste kit with space-saving pipe, 3 1/2" InFino basket strainer with drain remote control (pop-up, drill hole \varnothing 14 mm required), fixing kit

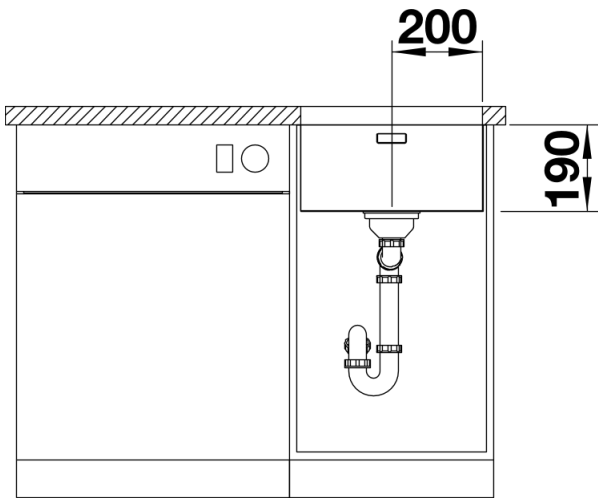
Details



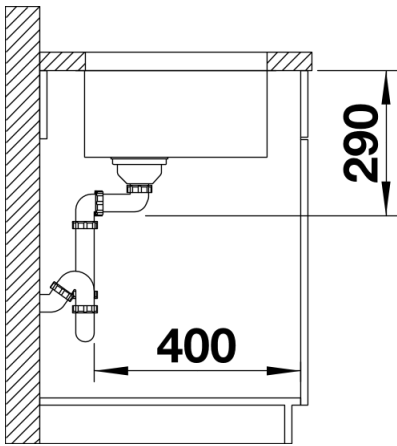
Top view



Cut-out



Front view



Side view