

## Product information sheet ANTAS-S

Item no. 526167

### Benefits

---



- Straight-lined design in compact format
- Especially suitable for small and compact sinks
- Extendable spray for greater cover
- Colour version in perfect coordination with coloured SILGRANIT sinks and bowls

### Colours

---



Available colours:

- black/chrome
- anthracite/chrome
- rock grey/chrome
- alu metallic/chrome
- white/chrome
- tartufo/chrome
- coffee/chrome

SILGRANIT Look dual finish black/chrome

## Planning information

---

- For ND version with flow rate control to protect the boiler.

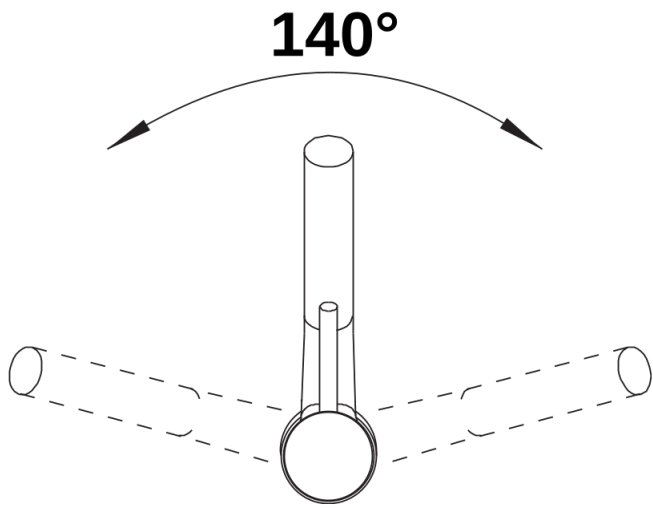
## Scope of supply

---

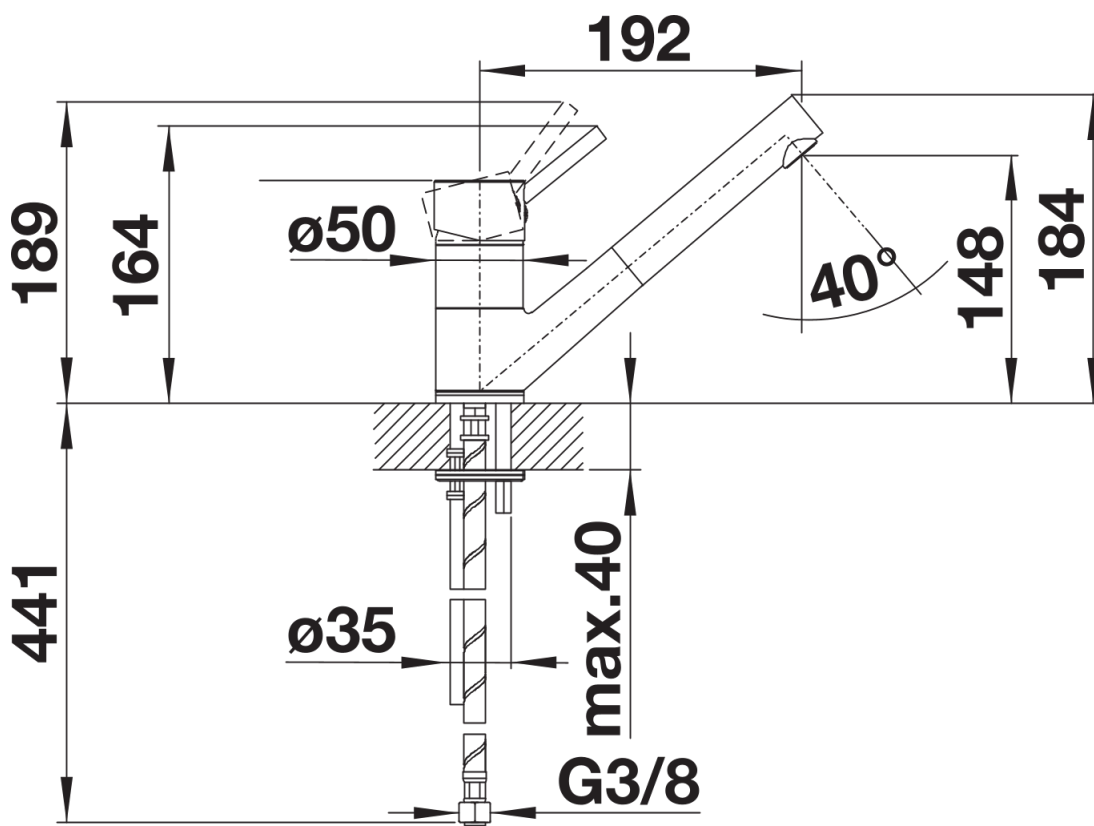
- 140° swivel spout for greater reach
- Ø 35 mm tap hole required
- With ceramic disk cartridge
- Nylon-sheathed spray hose
- Flexible 450 mm connector pipes and  $\frac{3}{8}$ " nut for particularly easy and secure installation
- Patented jet regulator for markedly reduced scaling
- Stabilisation plate to increase the stability of the tap when fitted in stainless steel sinks
- Equipped with non-return valve as standard and hence intrinsically safe against back flow in accordance with EN 1717
- LGA approved
- DVGW approved

## Details

---



Swivel range



Side view