

Product information sheet ANTAS-S

Item no. 516764

Benefits



- Straight-lined design in compact format
- Especially suitable for small and compact sinks
- Extendable spray provides greater cover

Colours



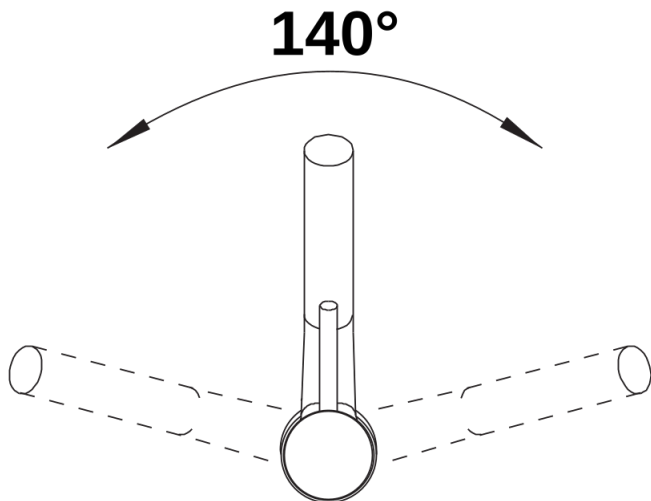
Available colours:
chrome

galvanic chrome

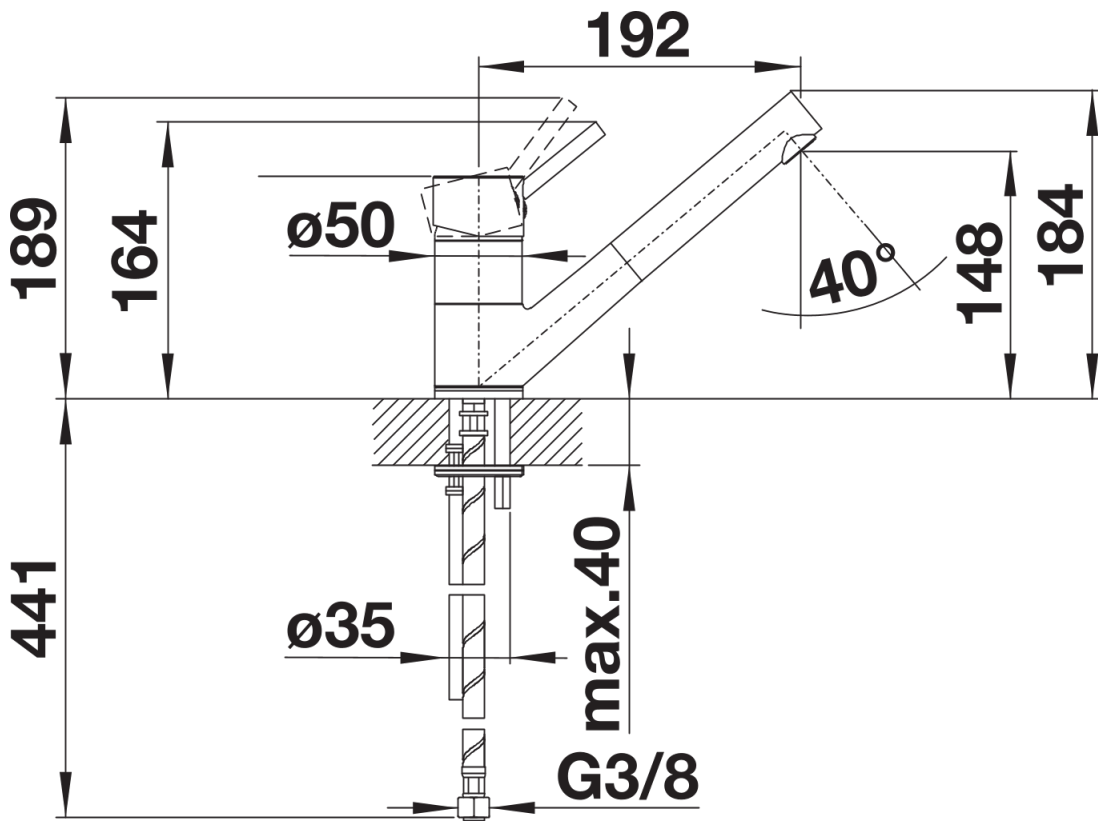
Scope of supply

- 140° swivel spout for greater reach
- Ø 35 mm tap hole required
- With ceramic disk cartridge
- Nylon-sheathed spray hose
- Flexible 450 mm connector pipes and $\frac{3}{8}$ nuts for particularly easy and secure installation
- Patented jet regulator for markedly reduced furring up
- Stabilisation plate to increase the stability of the tap when fitted in stainless steel sinks
- Equipped with non-return valve as standard and hence intrinsically safe against back flow in accordance with EN 1717

Details



Swivel range



Side view