

Product information sheet AVONA

Item no. 521267

Benefits



- Exciting interplay between round and rectangular shapes
- Tapering body, gentle incline in spout

Colours



Available colours:
chrome

galvanic chrome

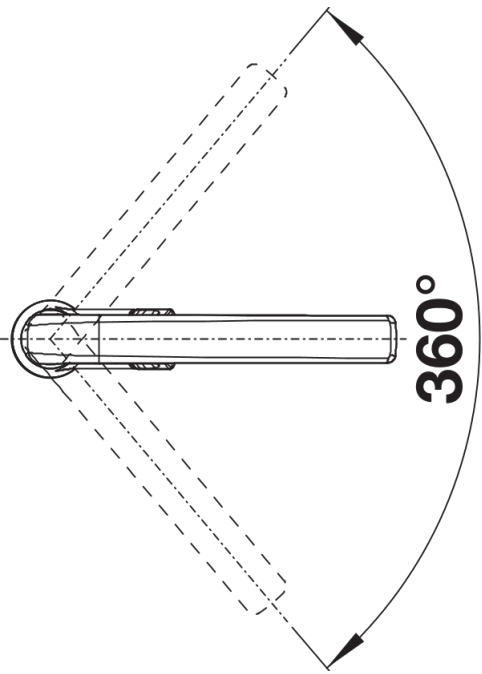
Planning information

- Clear spray included

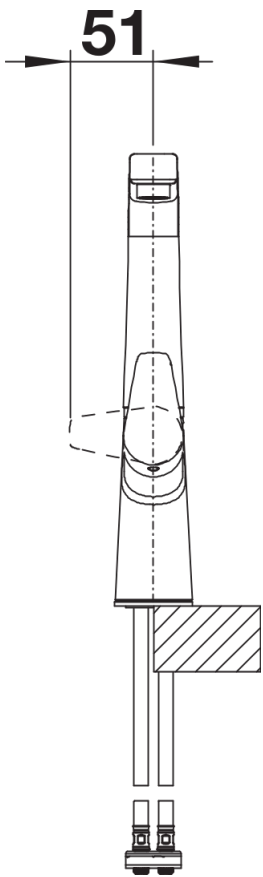
Scope of supply

- 360° swivel spout for greater reach
- High drill hole of 35 mm diameter required
- With ceramic disk cartridge
- Flexible connector pipes, 450 mm long and $\frac{3}{8}$ " nut for particularly easy installation
- Patented jet regulator for markedly reduced scaling
- Stabilisation plate to increase the stability of the tap when fitted in stainless steel sinks
- LGA approved
- Planned for DVGW certificate

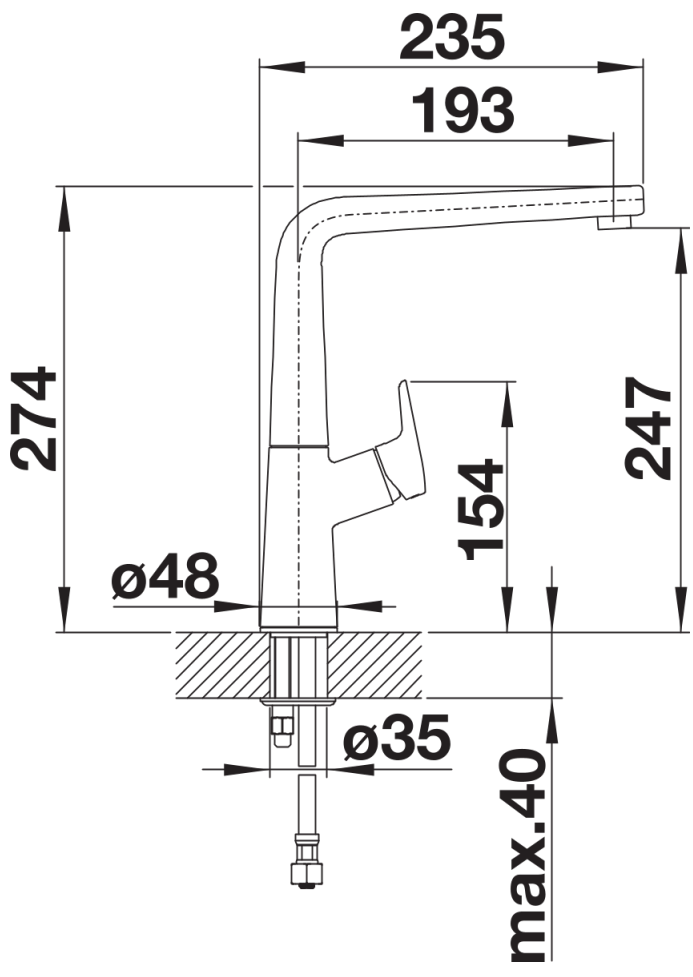
Details



Swivel range



Side view hand gear 2D



Side view