

Product information sheet AXIA III 5 S-F

Item no. 523225

Benefits



- Smooth, ergonomic work flow along two axis
- Design that is notable for clear lines and the ultra-narrow rim
- Tight radii for maximum utilisation of the surface and volume
- Movable chopping board for working directly into cooking dishes
- High-quality features with drain remote control, covered C-overflow and InFino drain system – elegantly integrated and easy-care
- Flushmount version

Colours



Available colours:

black
anthracite
rock grey
volcano grey
white
soft white
coffee

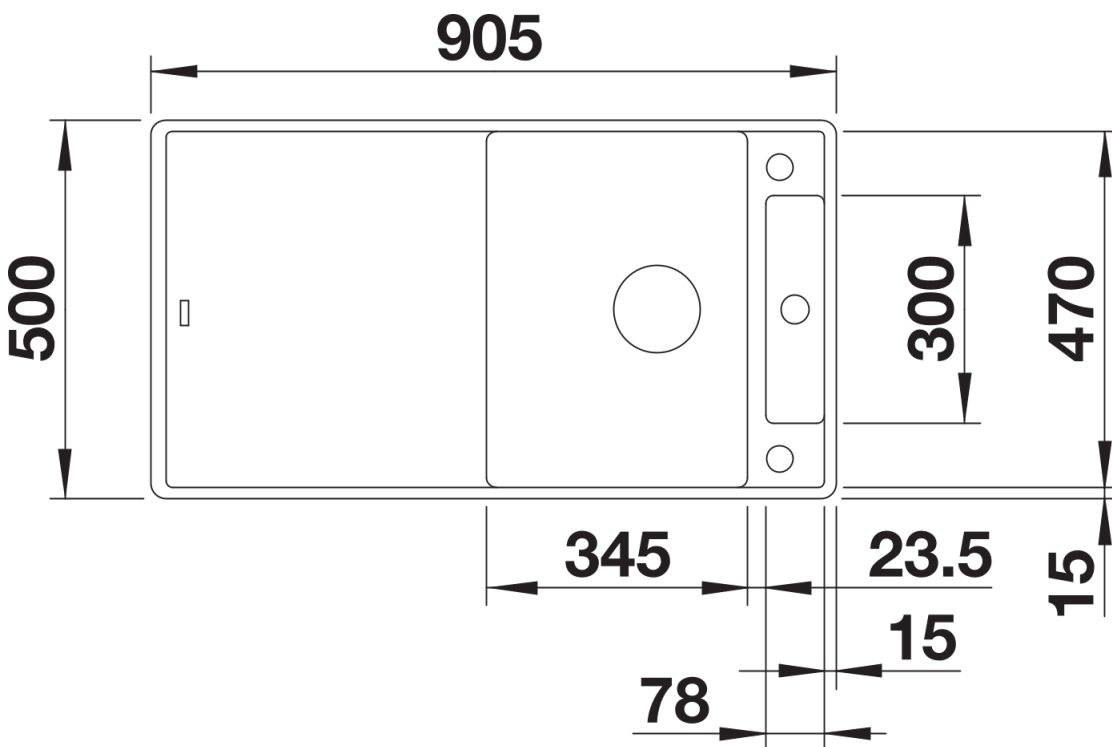
SILGRANIT anthracite

Scope of supply

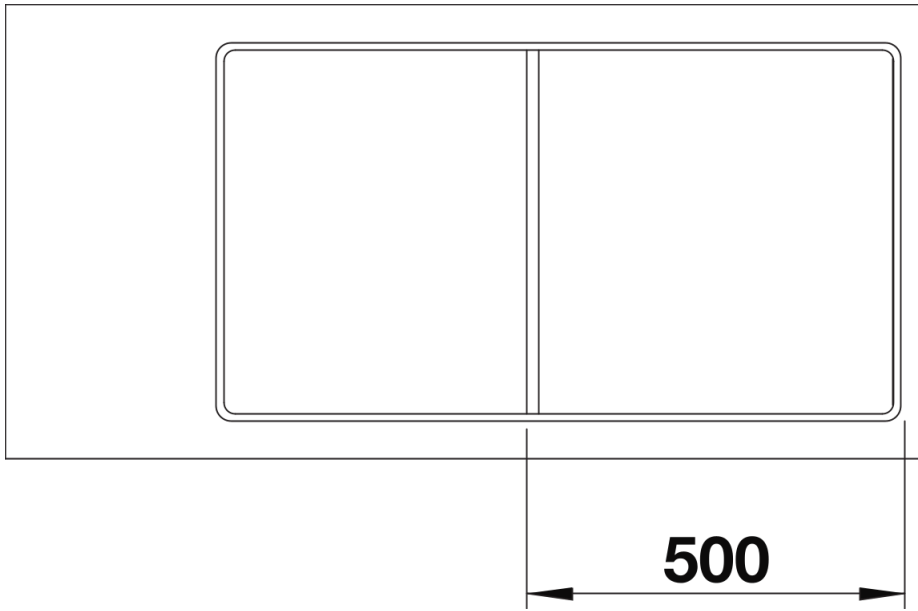
- movable ash compound bridging chopping board
- waste kit with space-saving pipe
- 3 ½" InFino basket strainer with drain remote control (rotary switch)

234051 - Ash compound bridging cutting board

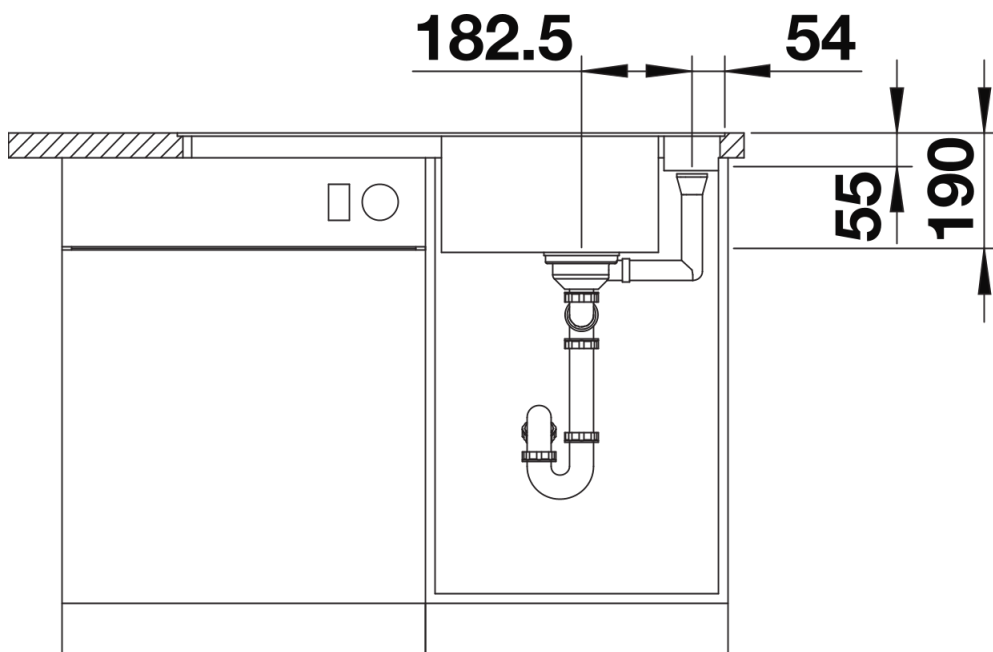
Details



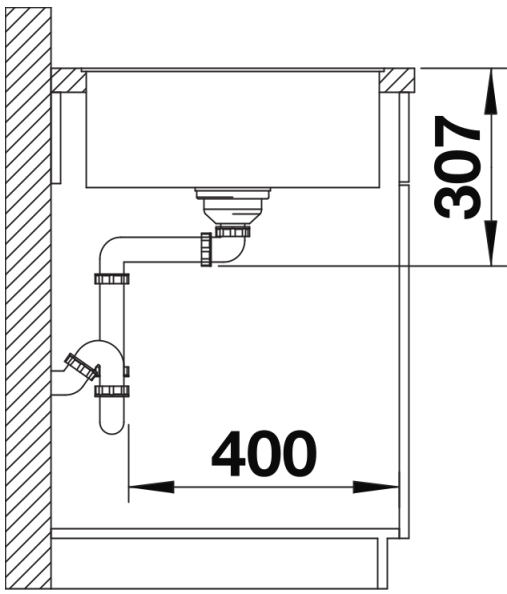
Top view



Cut-out



Front view



Side view