

Product information sheet AXIA III 5 S

Item no. 523215

Benefits



- Smooth, ergonomic work flow along two axis
- Design that is notable for clear lines and the ultra-narrow, low profile rim
- Tight radii for maximum utilisation of the surface and volume
- Multifunctional colander can also be freely positioned in the main bowl for easy food preparation
- Movable cutting board for working directly into cooking dishes
- High-quality features with drain remote control, covered C-overflow and InFino drain system – elegantly integrated and easy-care

Colours



SILGRANIT anthracite

Available colours:

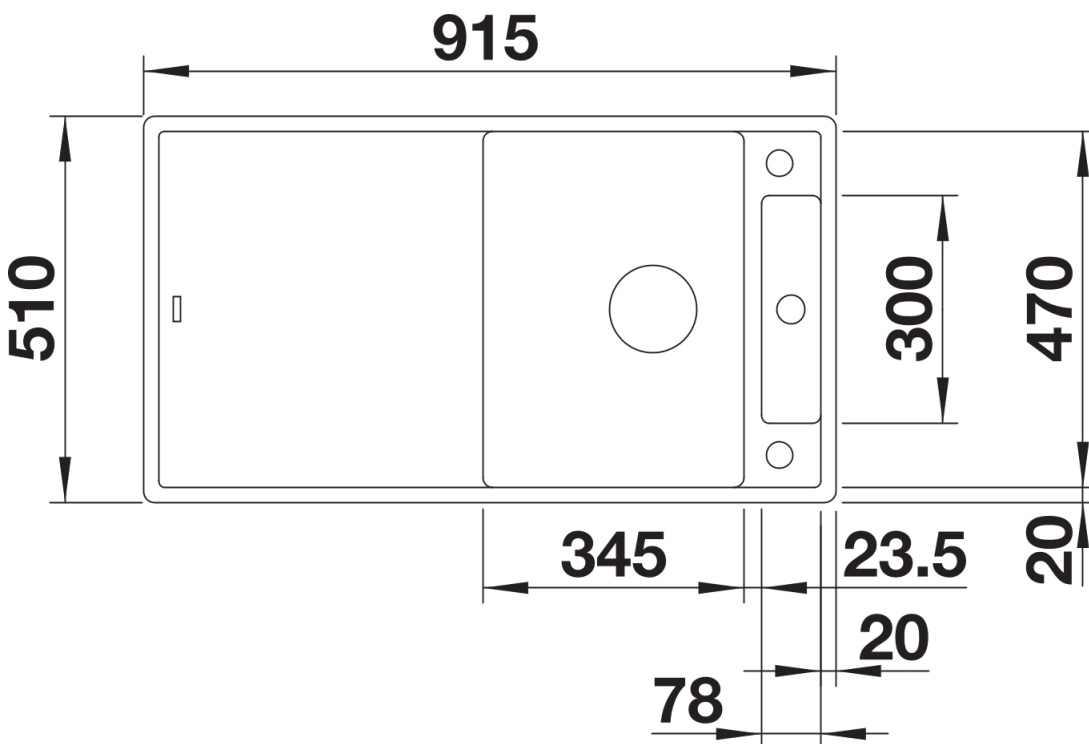
black
anthracite
rock grey
volcano grey
white
soft white
tartufo
coffee

Scope of supply

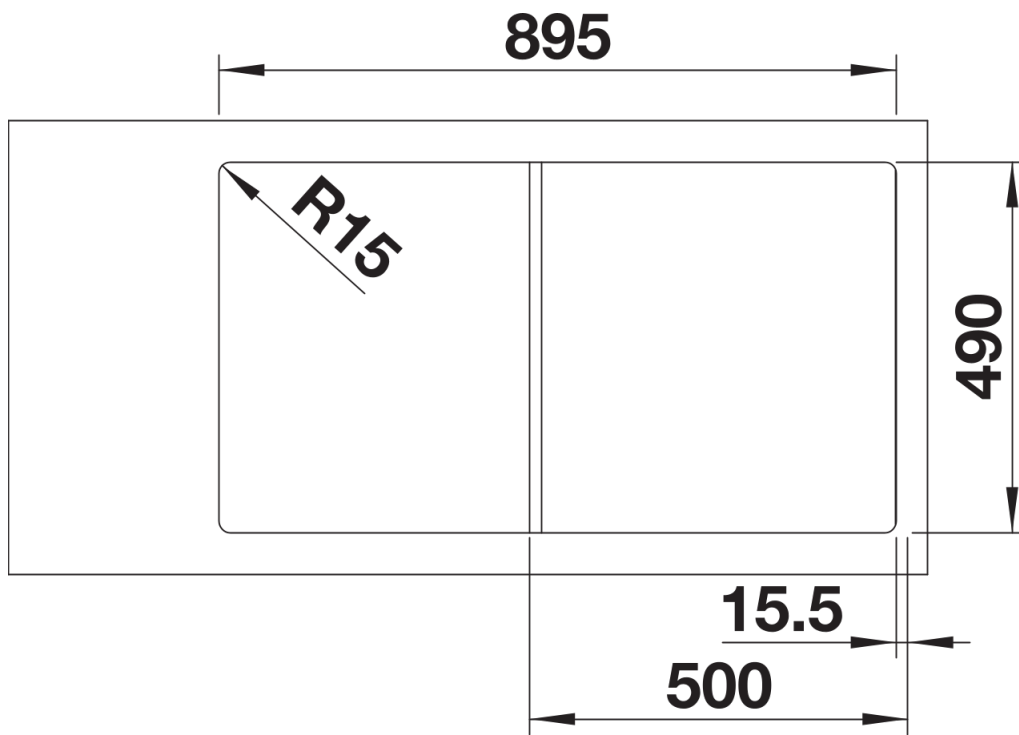
- movable safety glass cutting board
- waste kit with space-saving pipe
- 3 1/2" InFino basket strainer with drain remote control (rotary switch)

234045 - Glass cutting board white

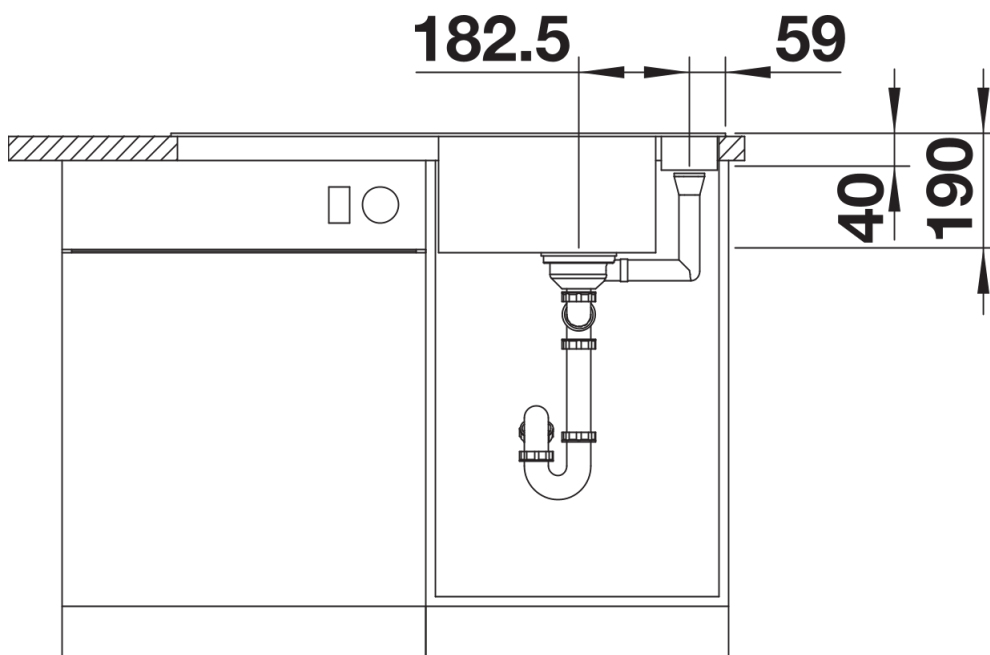
Details



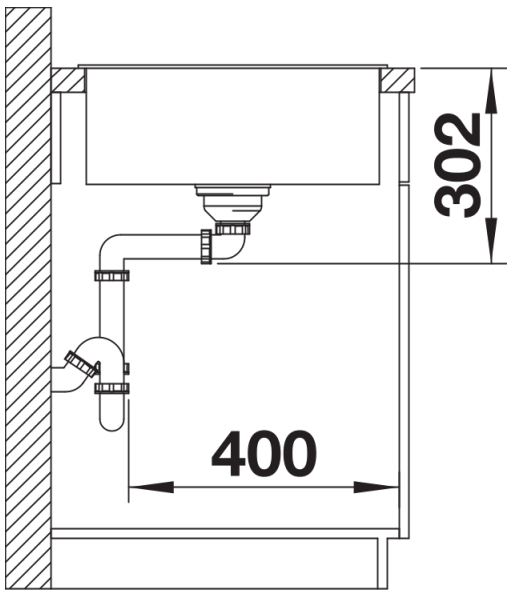
Top view



Cut-out



Front view



Side view