

## Product information sheet AXIA III 5 S-F

Item no. 525846

### Benefits

---



- Smooth, ergonomic work flow along two axis
- Design that is notable for clear lines and the ultra-narrow rim
- Tight radii for maximum utilisation of the surface and volume
- Movable cutting board for working directly into cooking dishes
- High-quality features with drain remote control, covered C-overflow and InFino drain system – elegantly integrated and extremely easy-care
- Flushmount version

### Colours

---



Available colours:

- black
- anthracite
- rock grey
- volcano grey
- alu metallic
- white
- soft white
- coffee

SILGRANIT black

## Scope of supply

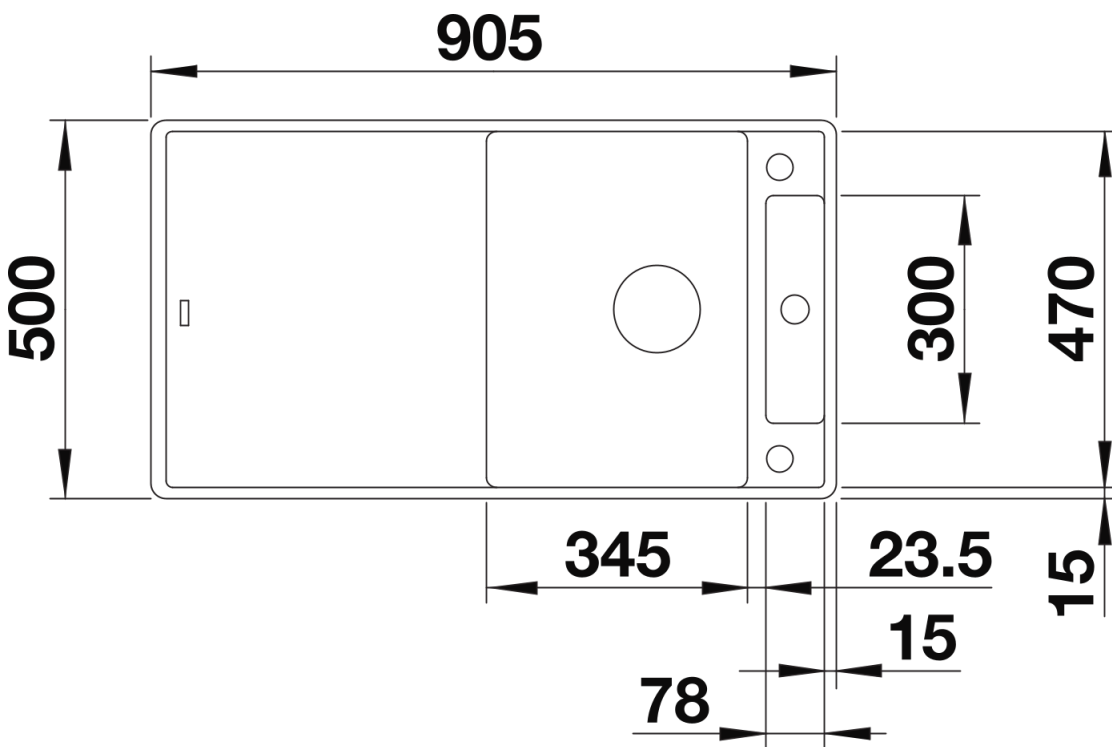
---

- glass cutting board
- waste kit with space-saving pipe
- 3 ½" InFino basket strainer with drain remote control (rotary switch)

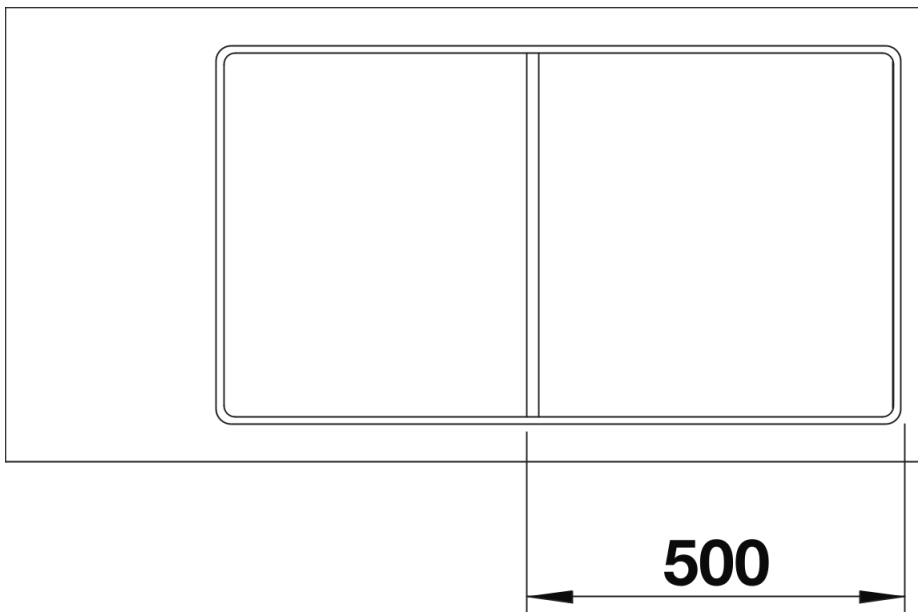
234045 - Glass cutting board white

## Details

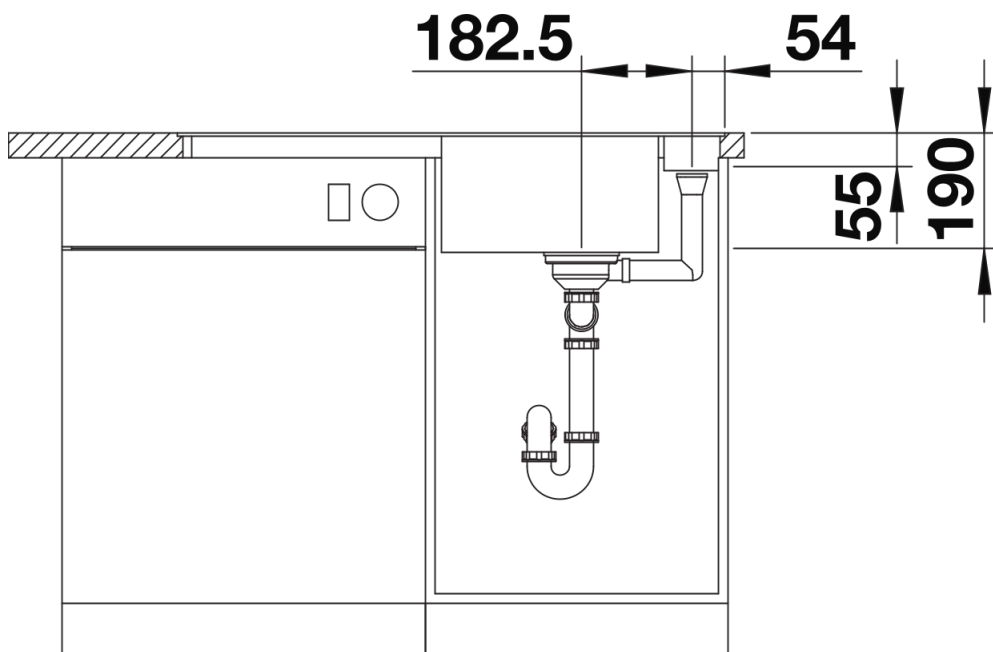
---



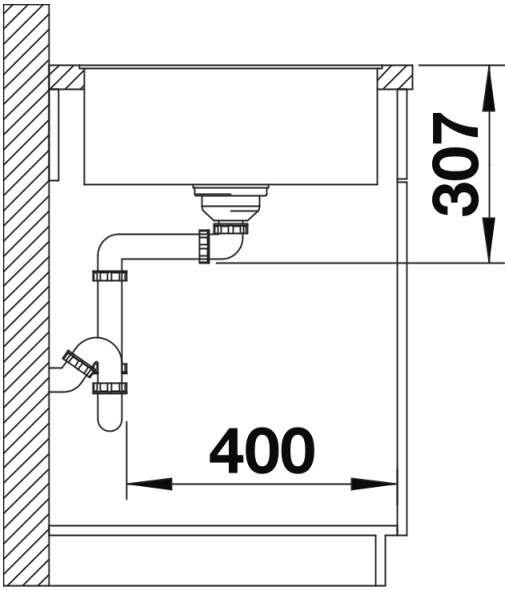
Top view



Cut-out



Front view



Side view