

## Product information sheet CATRIS-S

Item no. 521476

### Benefits

---



- Classic design in the Semi-Profi version
- Flexible spout (stainless steel spring) with a movable spray
- Dual spray: easy switch from aerated stream to powerful rinse spray
- Spray easily removable from the holder
- Ideal in combination with wall units

### Colours

---



Available colours:

chrome

galvanic chrome

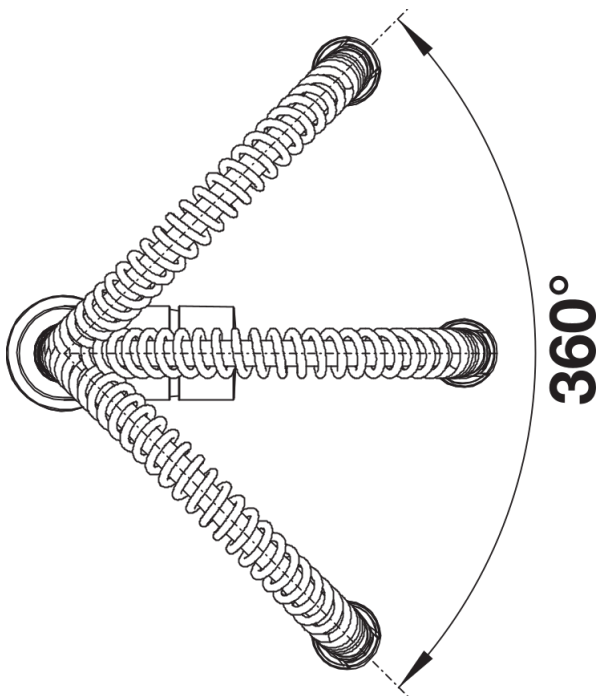
## Scope of supply

---

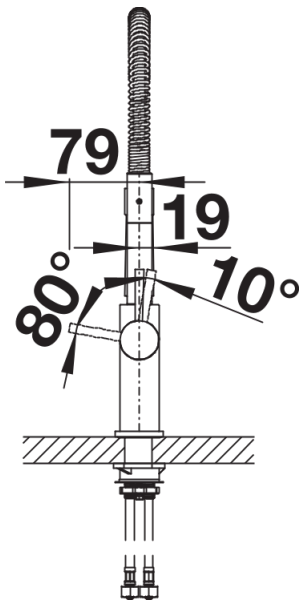
- 360° swivel spout for greater reach
- Ø 35 mm tap hole required
- Cartridge with ceramic seals
- Spray made of plastic
- Flexible connection pipes with a length of 450 mm and  $\frac{3}{8}$ " nut for particularly easy and secure installation
- Patented jet regulator for markedly reduced scaling
- Stabilising plate to increase the stability of the tap when fitted in stainless steel sinks
- With non-return valve and thus guaranteed against reflux in accordance with EN 1717
- LGA approved
- DVGW approved

## Details

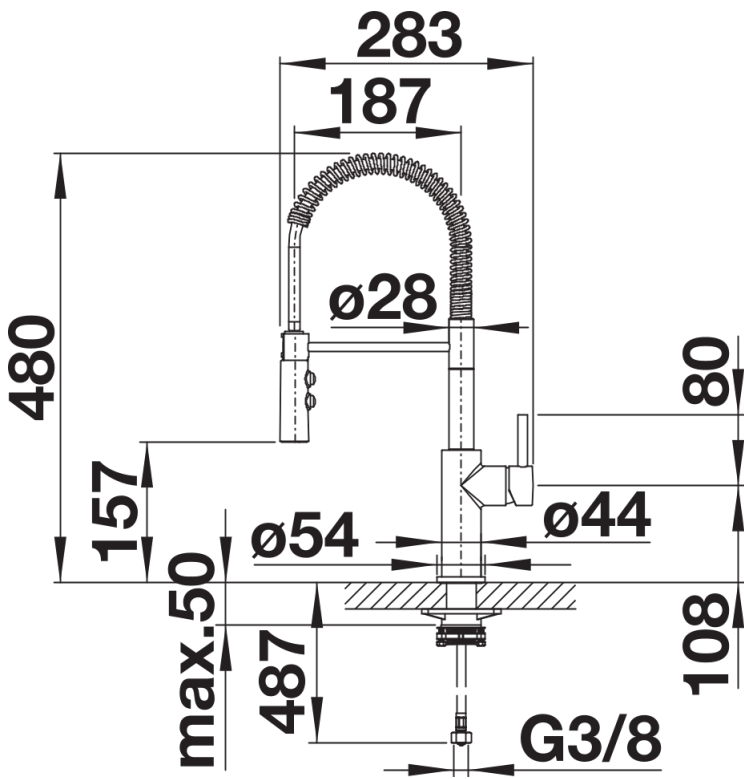
---



Swivel range



Side view hand gear 2D



Side view