

## Product information sheet CLARON 700-IF

Item no. 521580

### Benefits

---



- Elegant-pure bowl design
- Concise 10 mm radius for a more refined design, without doing away with practical benefits
- IF flat rim
- Optimum utilisation of the bowl capacity thanks to extra-deep bowls and distinctively small radii
- InFino drain system – elegantly integrated and easy-care

## Planning information

---

- Installing a kitchen mixer tap, drain remote control or soap dispenser in laminate worktops requires a flexible sealing tape

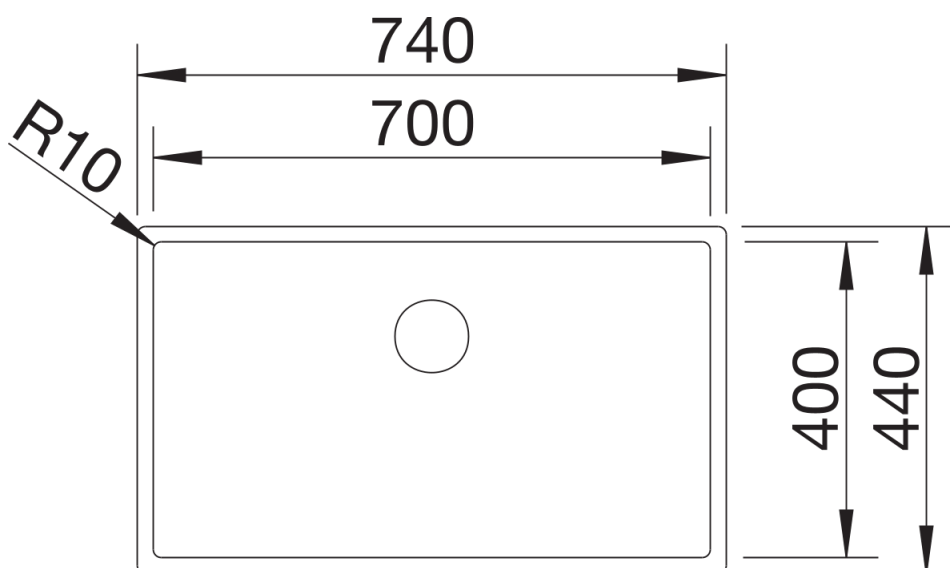
## Scope of supply

---

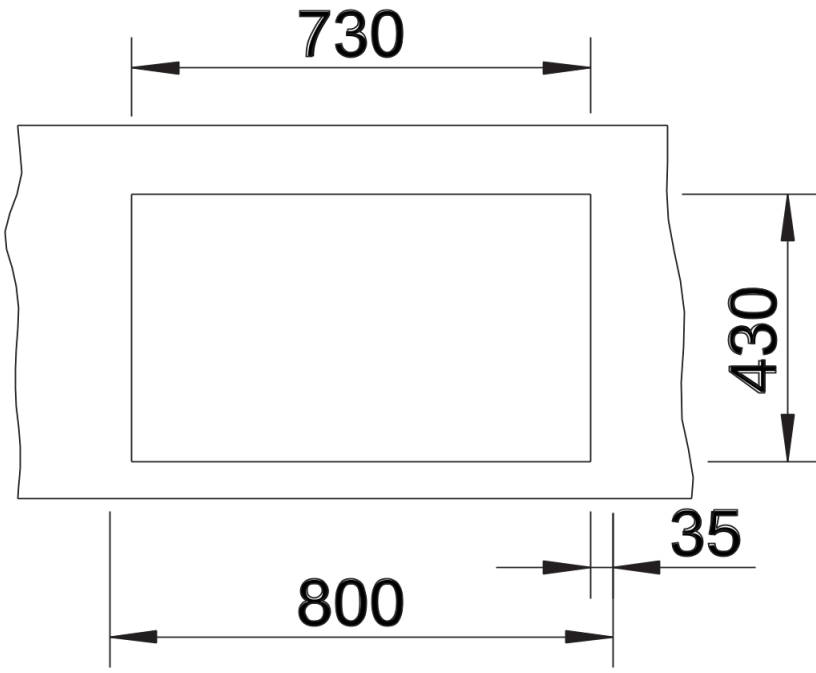
- waste kit with space saving pipe
- 3 ½" InFino basket strainer
- fixing kit

## Details

---



Top view



Cut-out