

## Product information sheet CLASSIC 8 S

Item no. 526075

### Benefits

---



- Classic design and contemporary functionality in harmony
- Two large bowls, separate additional bowl and large drainer
- Comfortable utilisation of 3 sink zones with double bowl
- Can be installed reversibly

### Colours

---



SILGRANIT black

Available colours:

- black
- anthracite
- alu metallic
- white
- jasmine
- champagne
- coffee

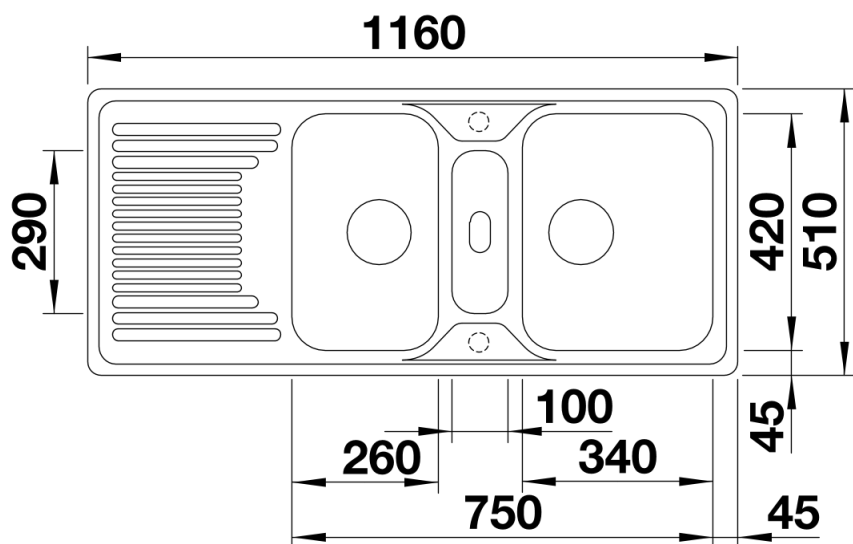
## Scope of supply

---

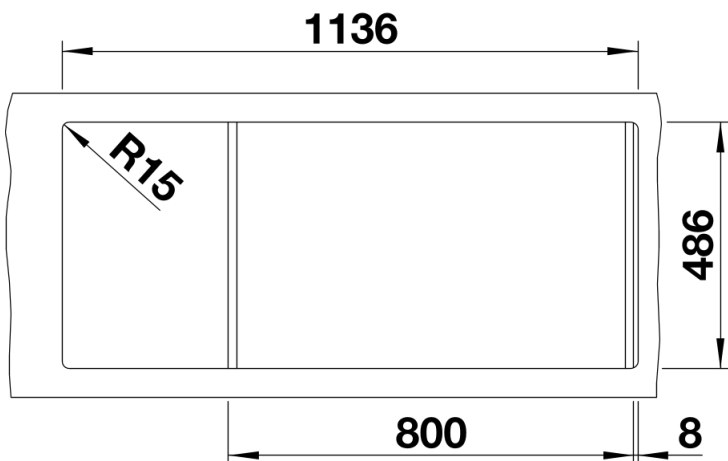
- waste kit with space-saving pipe, 2 x 3 1/2" basket strainer

## Details

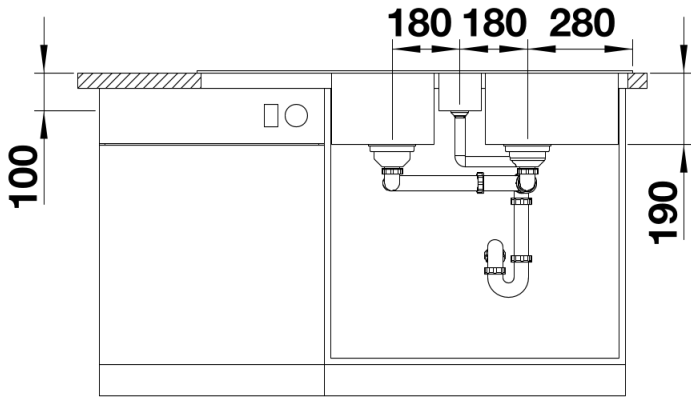
---



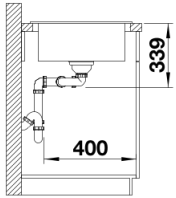
## Top view



## Cut-out



Front view



Side view