

Product information sheet BLANCO CULINA-S

Item no. 517598

Benefits



- Exciting design with special visual focus
- Delicate stainless steel spring enables freedom of movement down to the bowl area
- Comfortable locking of the hose with a precise magnet holder
- Two jet types – spray function with de-scaling nozzles
- Pleasant bundled spray jet

Colours



Available colours:

chrome

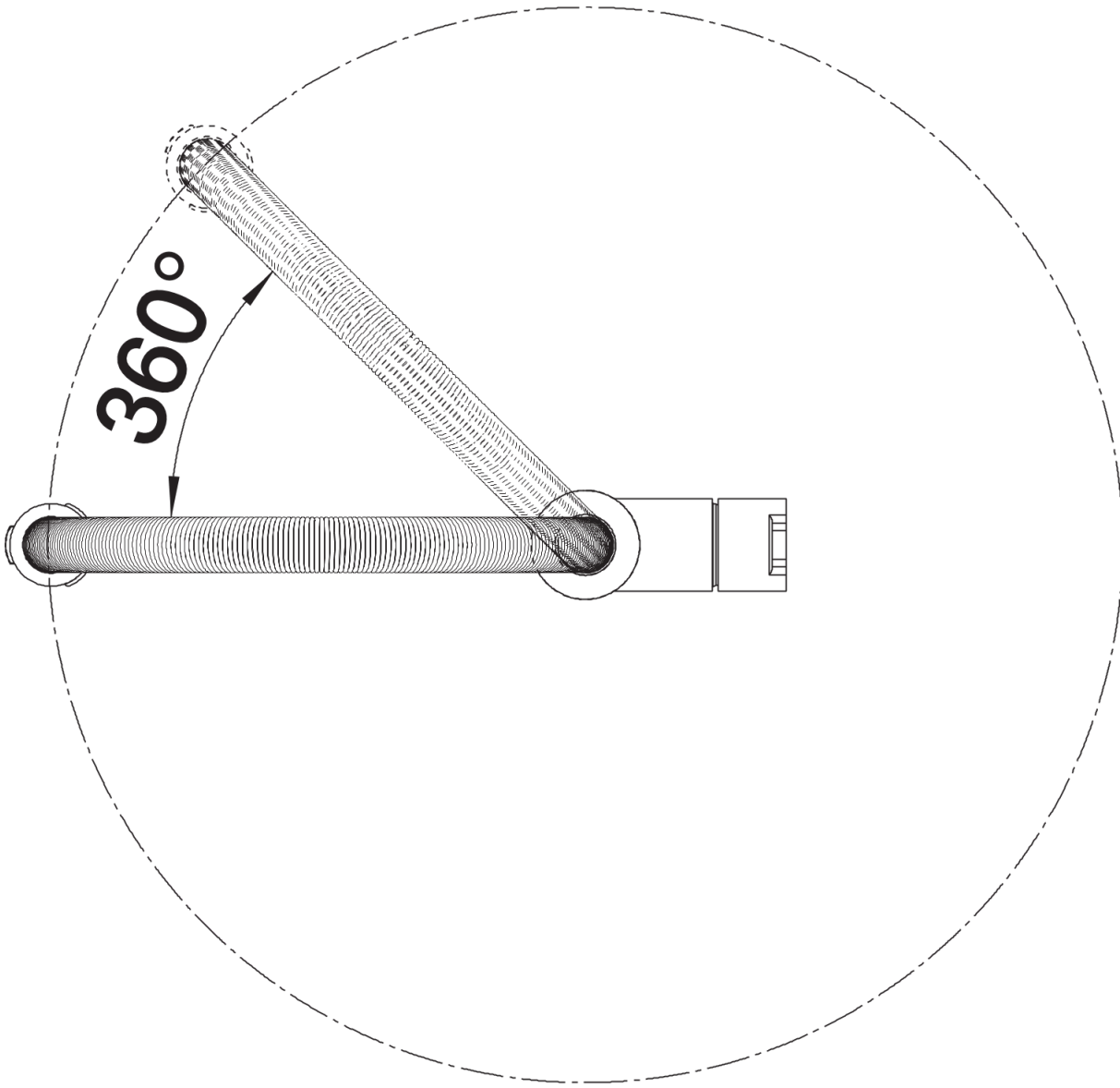
stainless steel finish

galvanic stainless steel finish

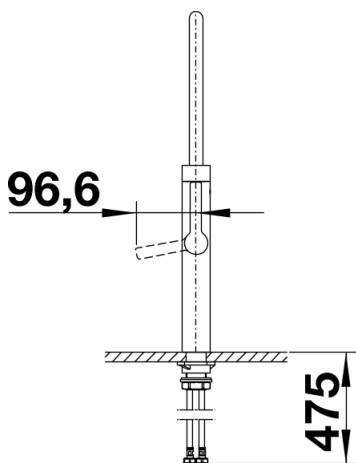
Scope of supply

- 360° swivel spout for greater reach
- Ø 35 mm tap hole required
- With ceramic disk cartridge
- Metal sheathed spray-hose
- Flexible connection pipes with a length of 450 mm and 3/8" nut for particularly easy and secure installation
- Stabilisation plate to increase the stability of the tap when fitted in stainless steel sinks
- With non-return valve and thus guaranteed against reflux in accordance with EN 1717
- LGA approved
- DVGW approved

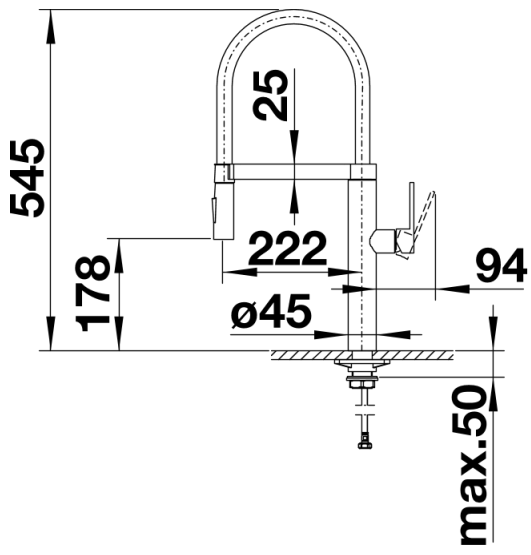
Details



Swivel range



SEITENANSICHT_HEBEL_2D



Side view