

## Product information sheet DALAGO 45

Item no. 517160

### Benefits

---



- Large bowl made for comfort in small spaces
- Continuous tap ledge protects the worktop from water drops
- Modern design with clear lines
- Functional accessories optional available

## Colours

---



Available colours:

black  
anthracite  
rock grey  
volcano grey  
white  
soft white  
tartufo  
coffee

SILGRANIT white

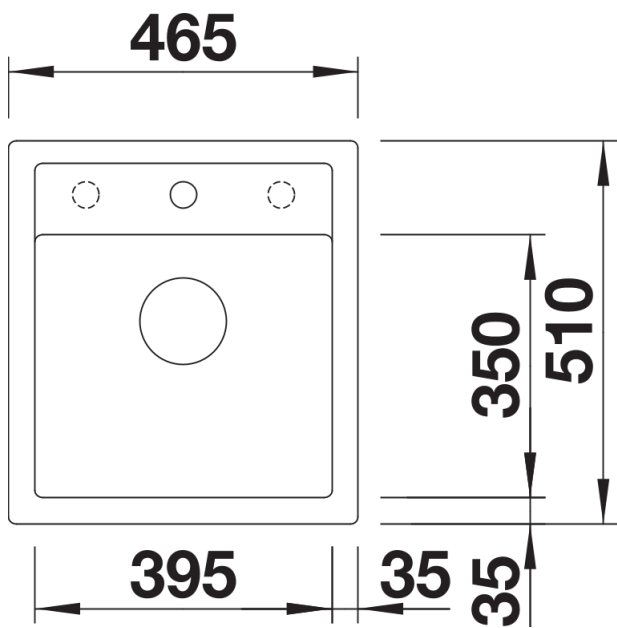
## Scope of supply

---

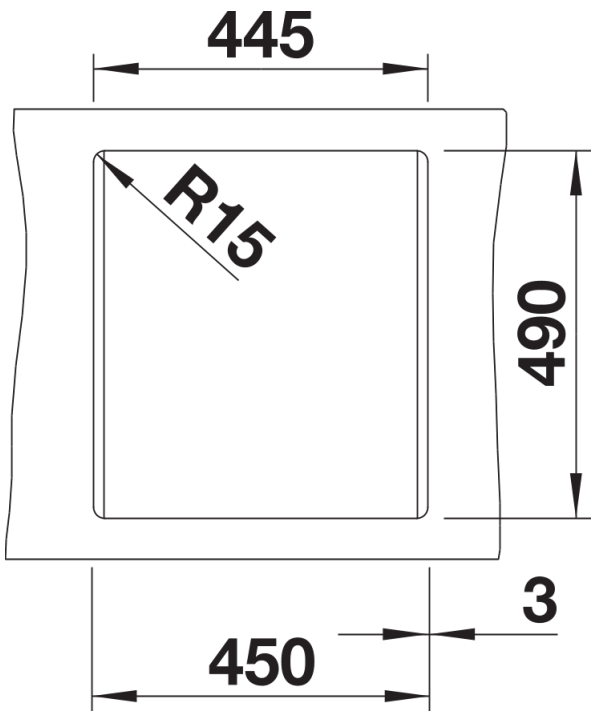
- waste kit with space-saving pipe
- 3 ½" basket strainer with drain remote control (rotary switch)

## Details

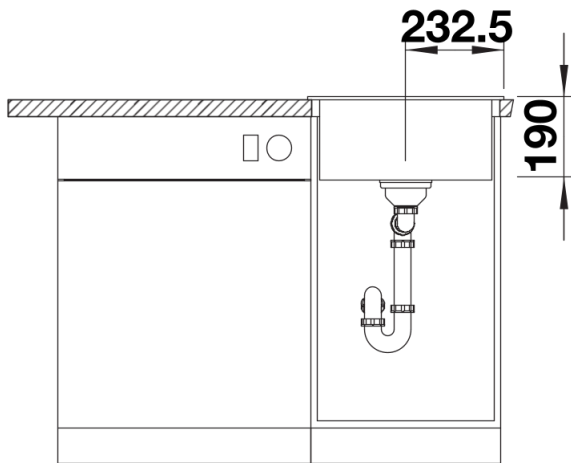
---



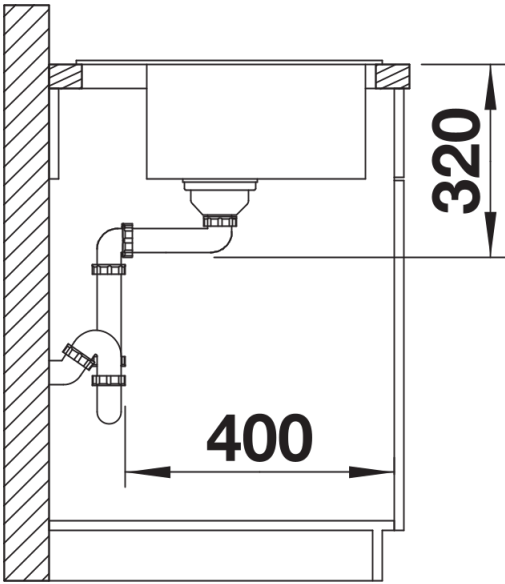
Top view



Cut-out



Front view



Side view