

Product information sheet DALAGO 45-F

Item no. 517169

Benefits



- Large bowl made for comfort in small spaces
- Continuous tap ledge protects the worktop from water drops
- Modern design with clear lines

Colours



Available colours:

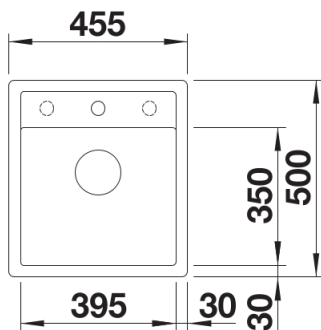
- black
- anthracite
- rock grey
- volcano grey
- white
- soft white
- coffee

SILGRANIT white

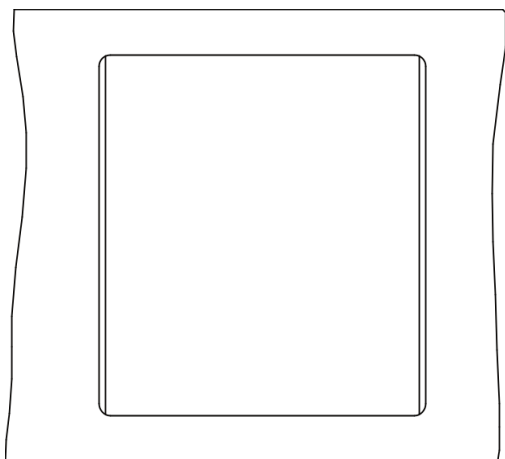
Scope of supply

- waste kit with space-saving pipe
- 3 ½" basket strainer with drain remote control (rotary switch)

Details

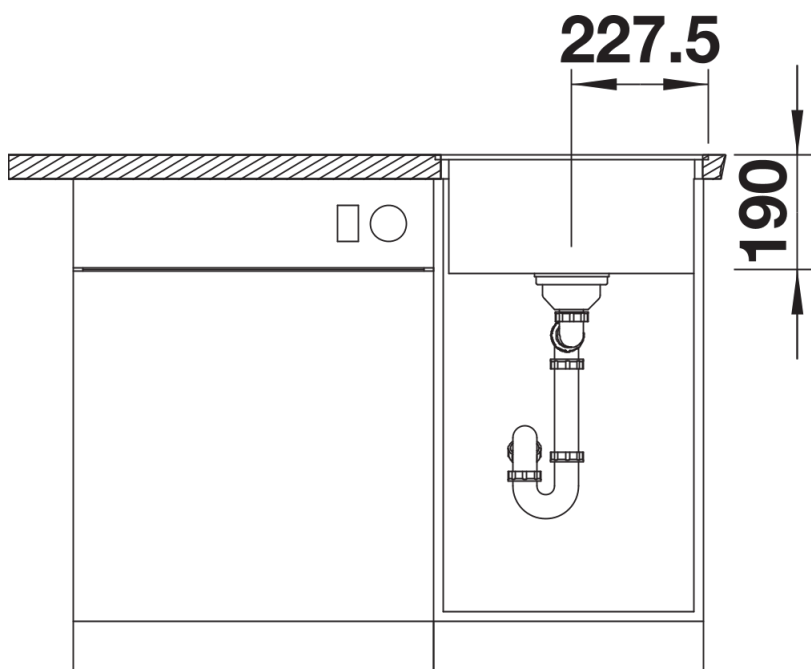


Top view



450

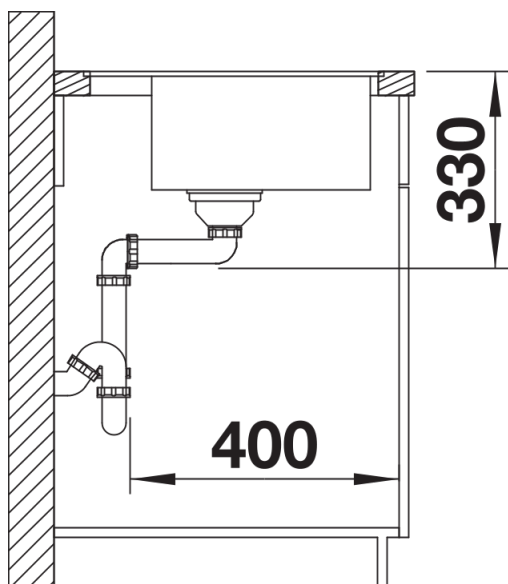
Cut-out



227.5

190

Front view



330

400

Side view