

Product information sheet ELOSCOPE-F II

Item no. 516672

Benefits



- Suitable for installation beneath window
- Clear, uncompromising design for pioneering kitchens
- For installation in front of window
- High spout for easier filling of pans and vases
- Easily hand-operated
- Only 3 cm min. distance between sink and window aisle
- Uniform tap holes (2 x 35 mm) for tap and operating lever (regardless of installation medium)

Colours



Available colours:
chrome

galvanic chrome

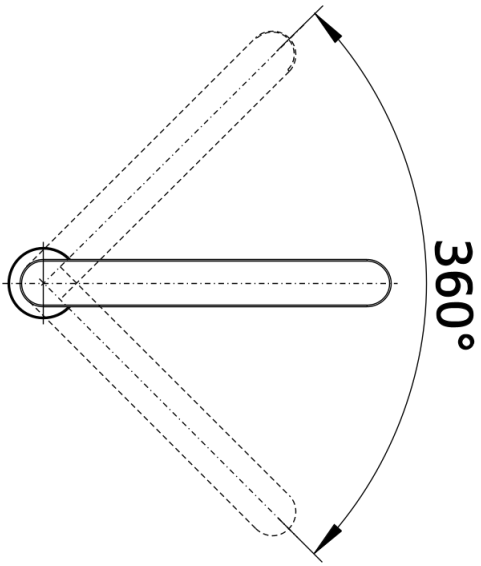
Planning information

- Note:
- Minimum clearance for middle of tap hole is 70 mm.
- Maximum clearance for middle of tap hole is 500 mm.
- Installation depth for the BLANCO ELOSCOPE-F II is 470 mm.
- Otherwise there is a risk of it knocking against the waste management system, boiler, etc.
- Minimum clearance between sink and window sash 3 cm.

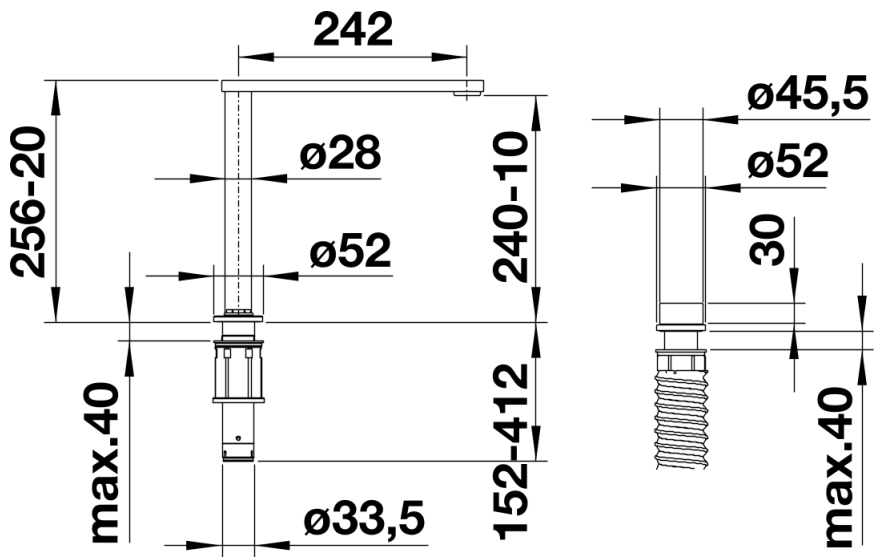
Scope of supply

- Spout can be retracted and swivelled by 360°
- 2 x 35 mm Ø tap holes required for tap and operating lever
- With ceramic disk cartridge
- Flexible connector pipes, 750 mm long and $\frac{3}{8}$ " nut for particularly easy installation
- Patented jet regulator for markedly reduced scaling
- Stabilisation plate to increase the stability of the tap when fitted in stainless steel sinks
- LGA approved
- Planned for DVGW certificate

Details



Swivel range



Side view