

## Product information sheet IDENTO 45 S

Item no. 522121

### Benefits

---



- Puristic design for contemporary kitchen worlds
- Exceptionally flat rim and tight radii
- Clearly defined working areas
- Generously proportioned for an extremely large drainer area
- InFino™ drain system – gracefully integrated and easy-care
- Optional accessories available

### Colours

---



Available colours:

- black
- basalt
- crystal white glossy
- magnolia glossy

Ceramic PuraPlus™ black

## Planning information

---

- Holes for a kitchen mixer tap and drain remote control are provided.
- Installing a kitchen mixer tap or drain remote control in Ceramic sinks requires a flexible sealing tape, item no. 120 055.
- Includes: the price includes two tap holes, drain remote control and PuraPlus® coating.

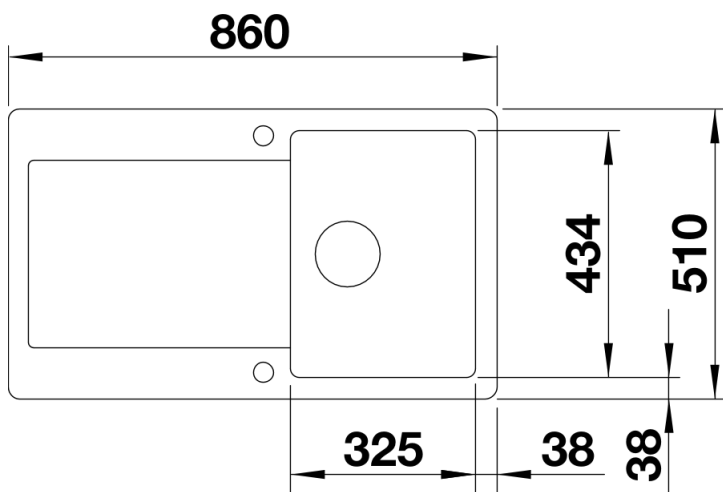
## Scope of supply

---

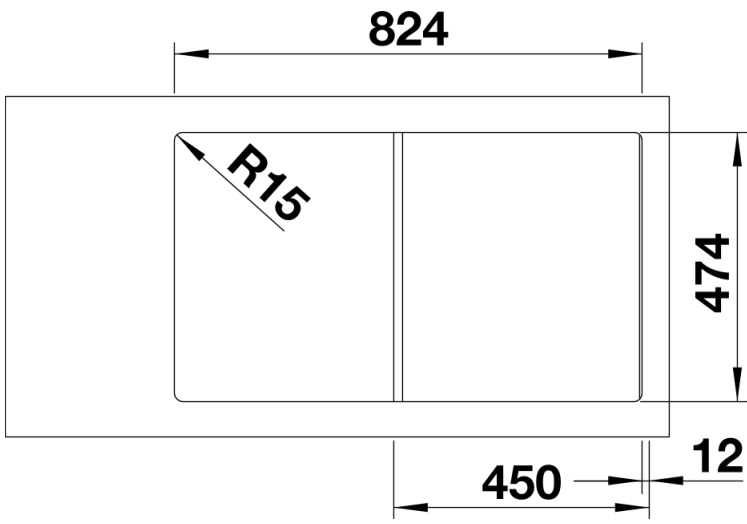
- waste kit with space-saving pipe, 3 ½" InFino™ basket strainer with drain remote control (rotary switch)

## Details

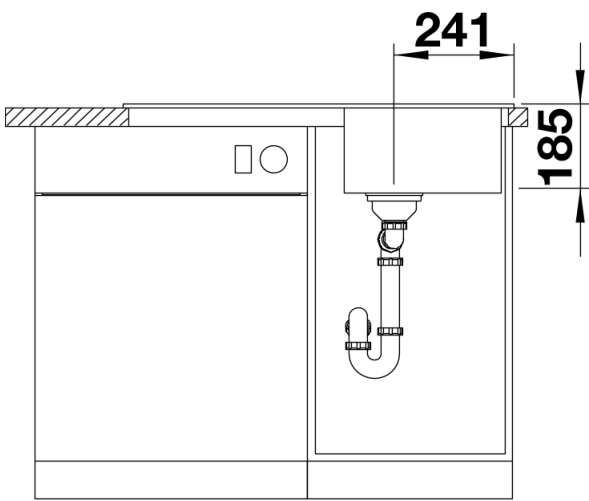
---



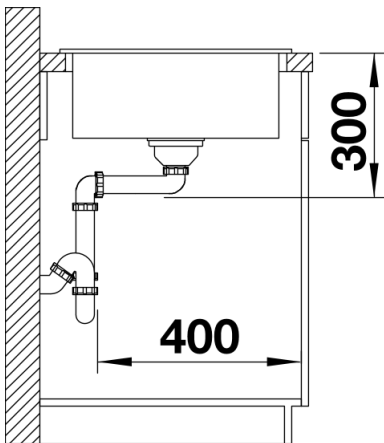
Top view



Cut-out



Front view



Side view