

## Product information sheet IDENTO 6 S

Item no. 522128

### Benefits

---



- Puristic design for contemporary kitchen worlds
- Exceptionally flat rim and tight radii
- Clearly defined working areas
- Striking overall appearance thanks to the thin divider
- Kitchen tasks are made much easier by the roomy main bowl and practical additional bowl
- InFino™ drain system – gracefully integrated and easy-care
- Optional accessories available

### Colours

---



Available colours:

- black
- basalt
- crystal white glossy
- magnolia glossy

Ceramic PuraPlus™ black

## Planning information

---

- Holes for a kitchen mixer tap and drain remote control are provided.
- Installing a kitchen mixer tap or drain remote control in Ceramic sinks requires a flexible sealing tape, item no. 120 055.
- Includes: the price includes two tap holes, drain remote control and PuraPlus® coating.

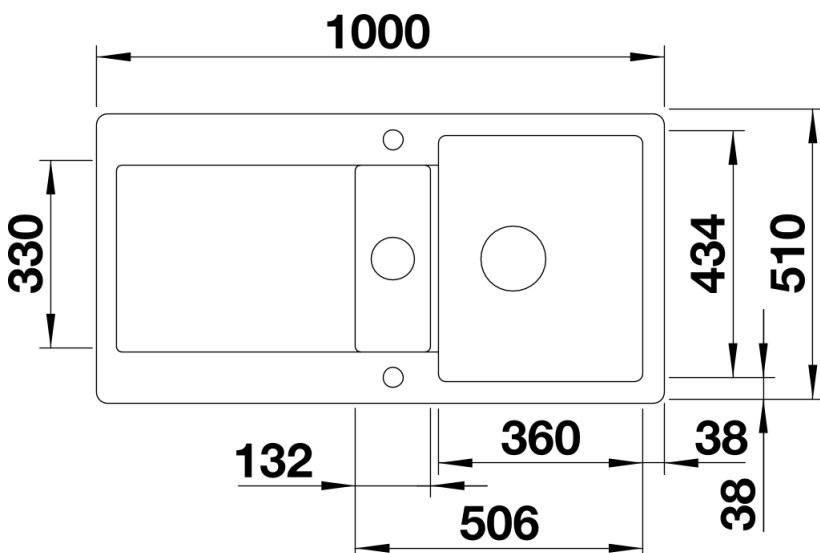
## Scope of supply

---

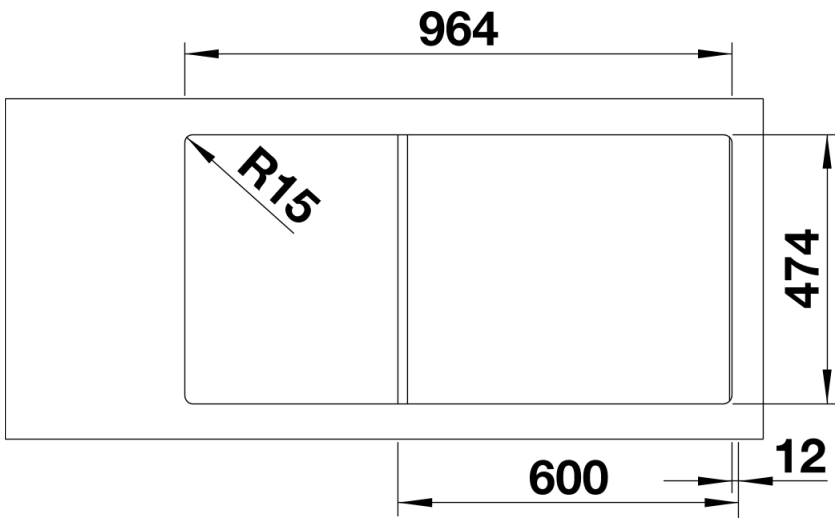
- waste kit with space-saving pipe, 3 ½" and 1 ½" InFino™ basket strainer with drain remote control (rotary switch) for the main bowl

## Details

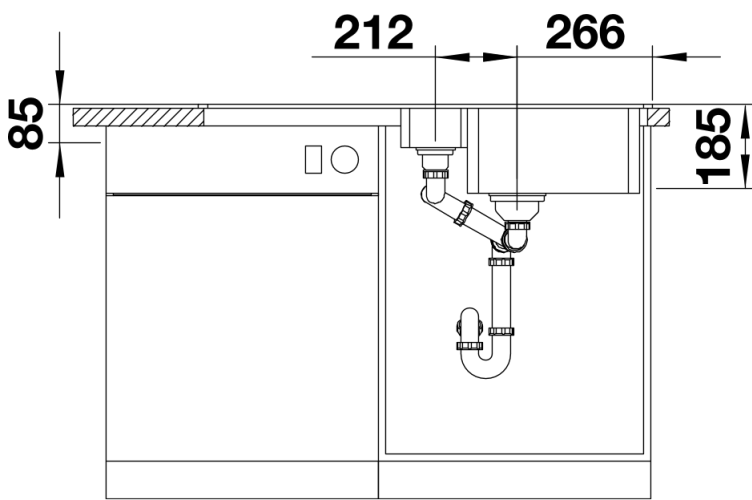
---



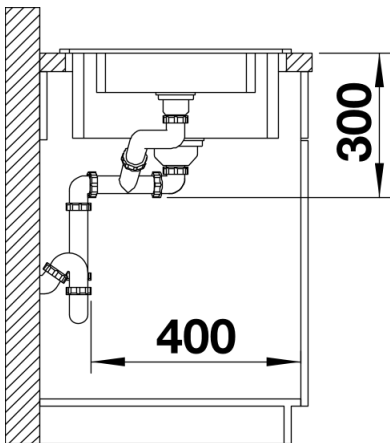
Top view



Cut-out



Front view



Side view