

Product information sheet KANO-S

Item no. 521503

Benefits



- Slim tap in aesthetic design
- Pull-out spray hose for added reach and convenience
- Especially suitable for compact sinks
- Spout can be swivelled through 120° for greater reach

Colours



Available colours:

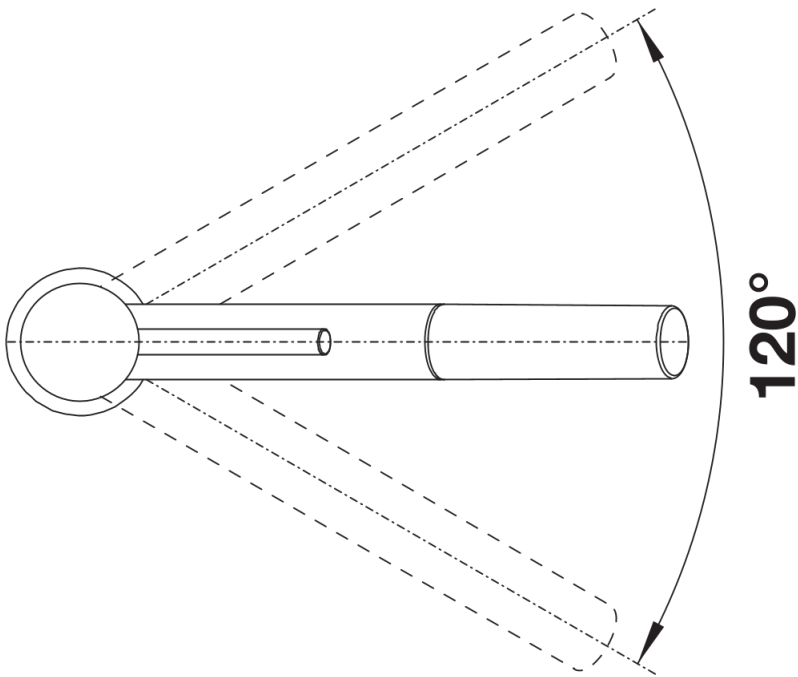
chrome

galvanic chrome

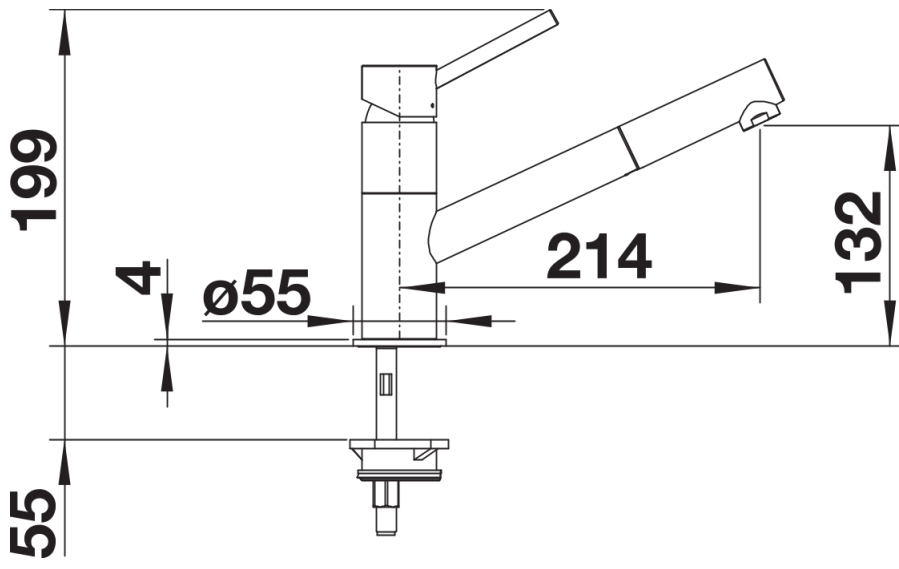
Scope of supply

- Spout can be swivelled by 120°
- Nylon-sheathed spray hose
- Ø 35 mm tap hole required
- With ceramic disk cartridge
- Flexible 350 mm connector pipes and $\frac{3}{8}$ " nut for particularly easy and secure installation
- Patented jet regulator for markedly reduced scaling
- Stabilisation plate to increase the stability of the tap when fitted in stainless steel sinks
- With non-return valve and thus guaranteed against reflux in accordance with EN 1717

Details



Swivel range



Side view