

Product information sheet LANTOS 45 S-IF Compact

Item no. 519059

Benefits

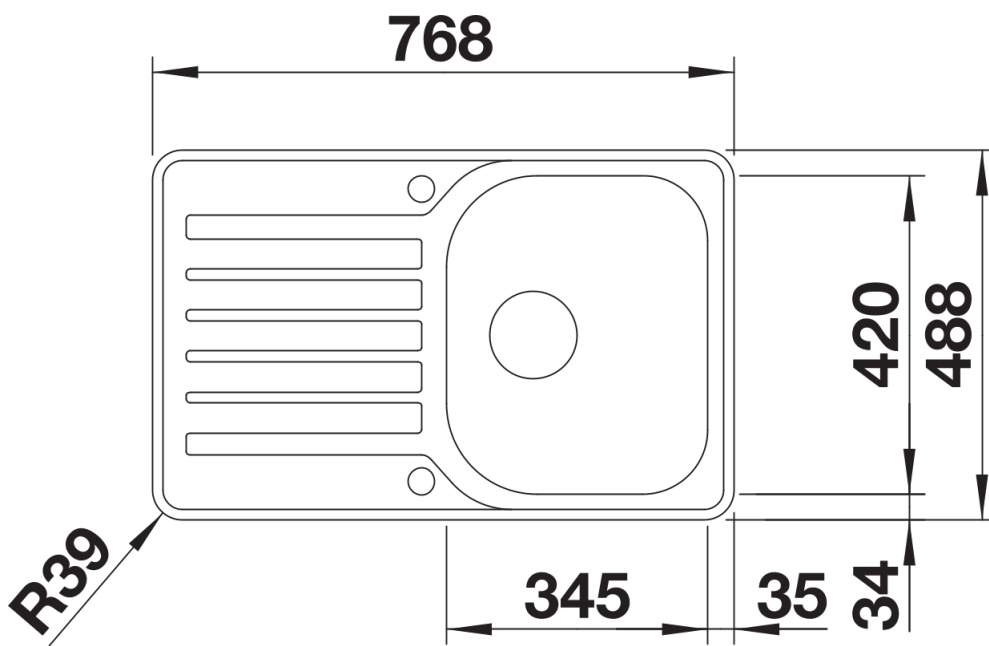


- Wide sink family range with clear shapes
- Elegant IF flat-rim for flushmount and for installation from above
- Compact version with drainer
- Can be installed reversibly
- With 3 ½" stainless steel basket strainer
- With drain remote control

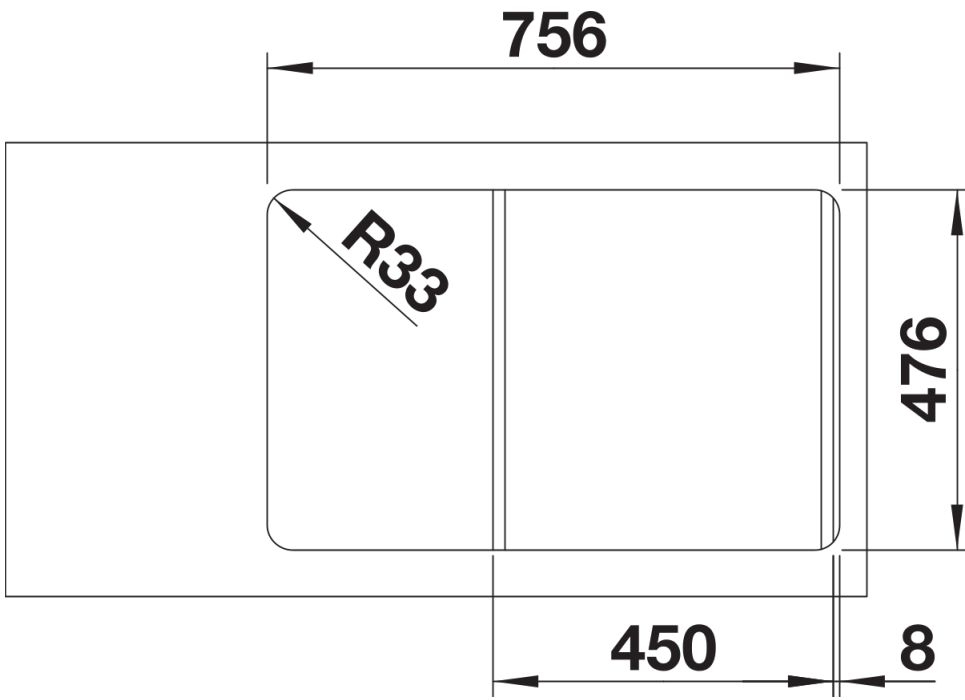
Scope of supply

- waste kit with space-saving pipe
- 3 ½" basket strainer with drain remote control (rotary switch)

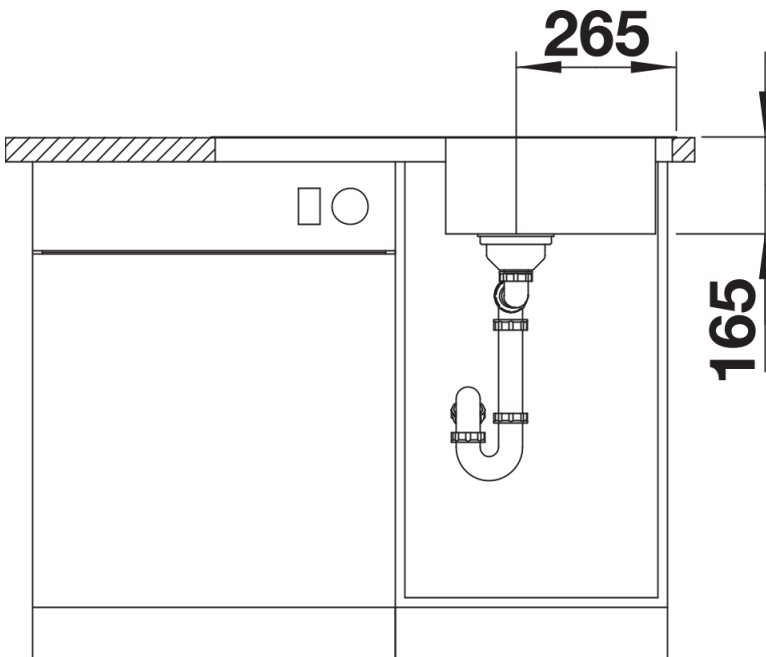
Details



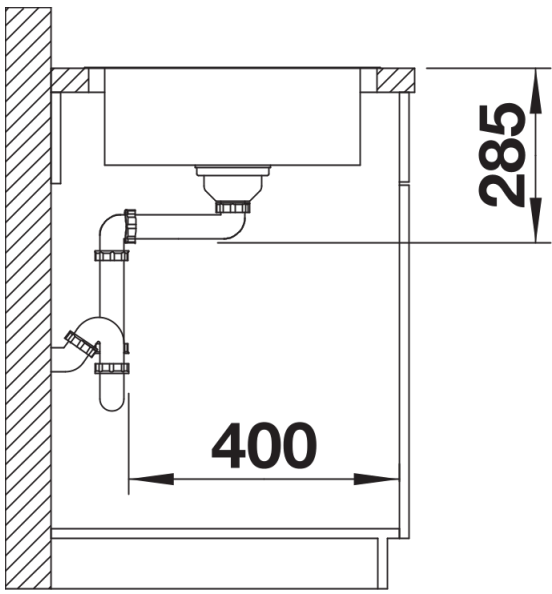
Top view



Cut-out



Front view



Side view