

Product information sheet LANTOS XL 6 S-IF

Item no. 519709

Benefits

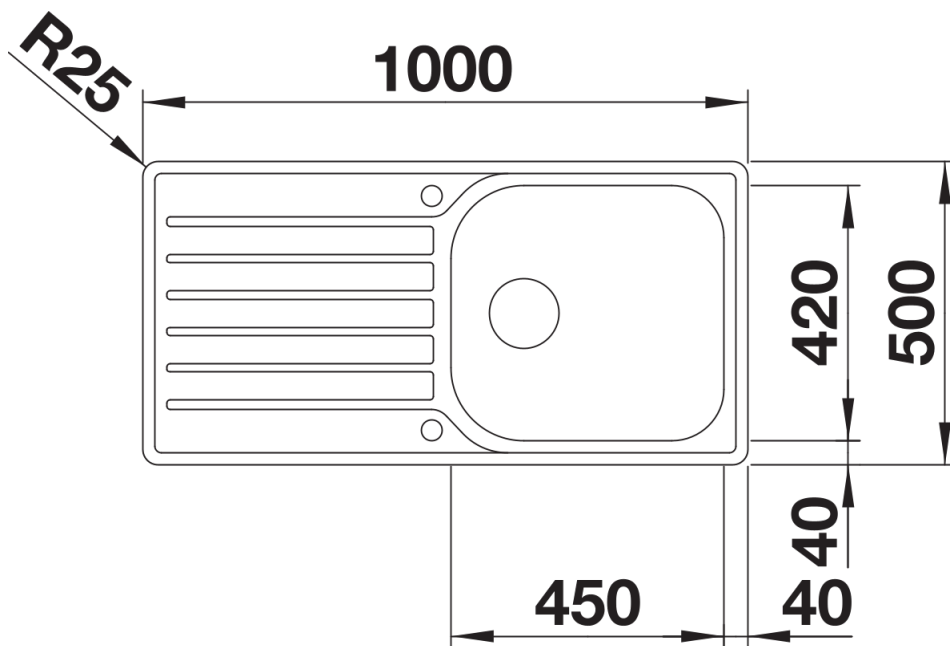


- Wide sink family range with clear shapes
- Elegant IF flat-rim for flushmount and for installation from above
- Large bowl size
- Spacious drainer
- Can be installed reversibly
- With 3 ½" stainless steel basket strainer

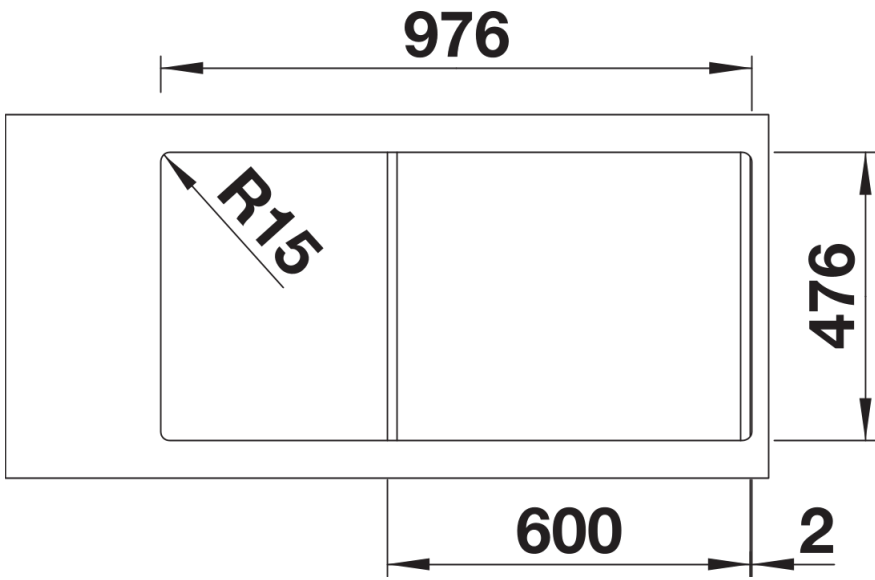
Scope of supply

- waste kit with space-saving pipe
- 3 ½" basket strainer with drain remote control (rotary switch)

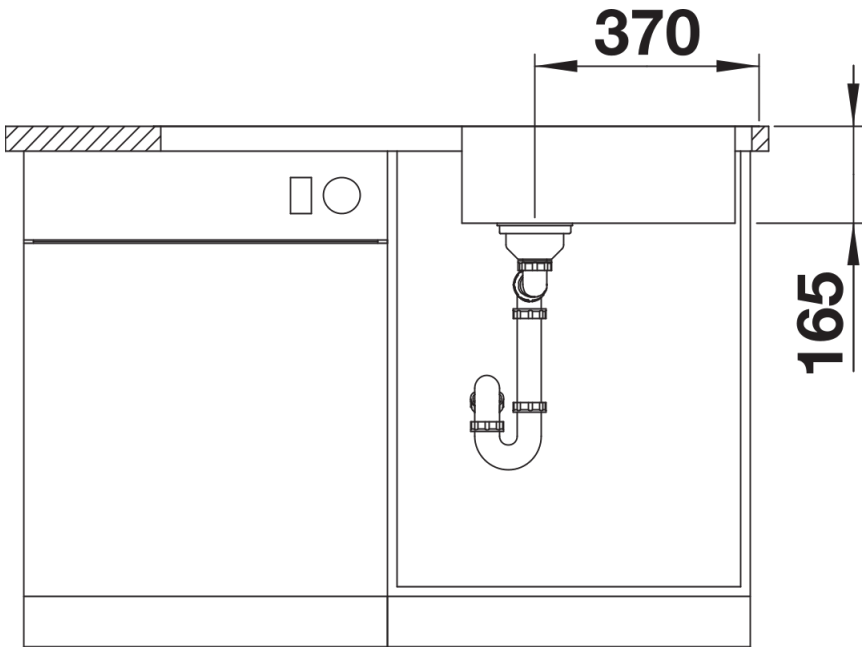
Details



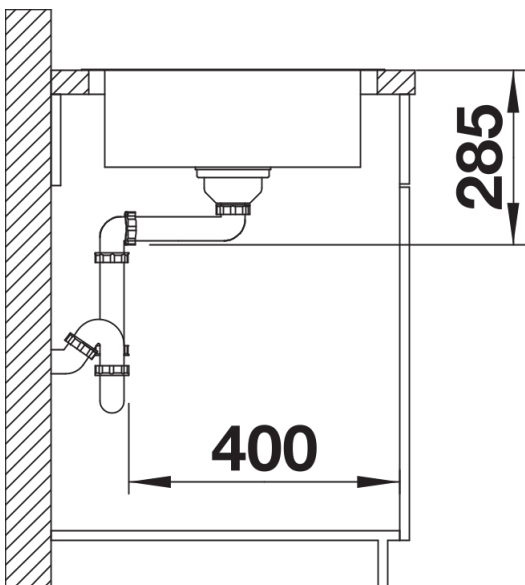
Top view



Cut-out



Front view



Side view