

Product information sheet LINUS-S Lever left

Item no. 514016

Benefits



- Easier handling for sinistrals or when tap hole is left from main bowl
- Minimalist design
- Extendable spray head
- High quality metal spray
- High spout for easy filling of large pans and vases

Colours



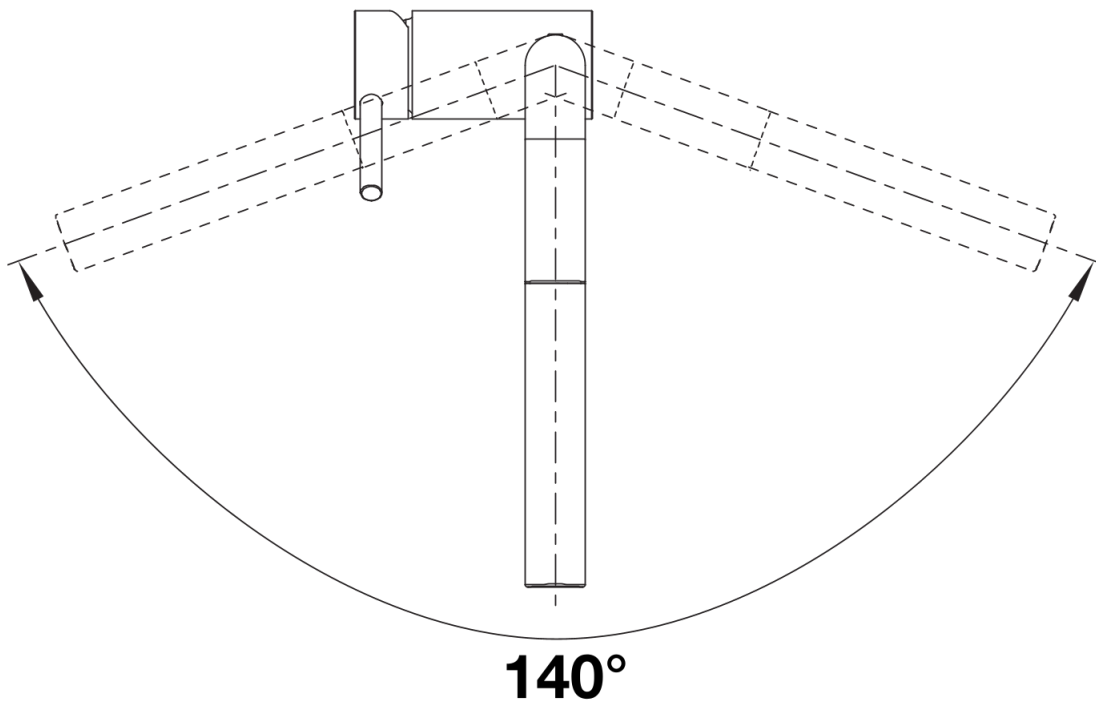
Available colours:
chrome

galvanic chrome

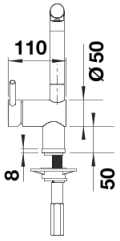
Scope of supply

- 140° swivel spout for greater reach
- Ø 35 mm tap hole required
- With ceramic disk cartridge
- Patented jet regulator for markedly reduced scaling
- Spray made of metal
- Metal-sheathed spray hose
- BLANCO hose weight for extended reach
- Flexible connector pipes, 700 mm long and 3/8" nut
- Stabilisation plate to increase the stability of the tap when fitted in stainless steel sinks
- With non-return valve and thus guaranteed against reflux in accordance with EN 1717

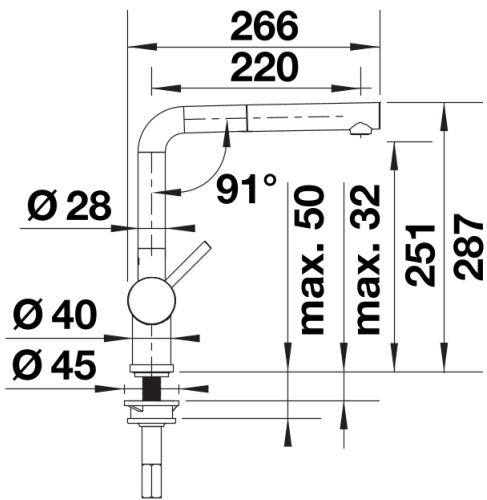
Details



Swivel range



Side view hand gear 2D



Side view