

Product information sheet LINEE-S

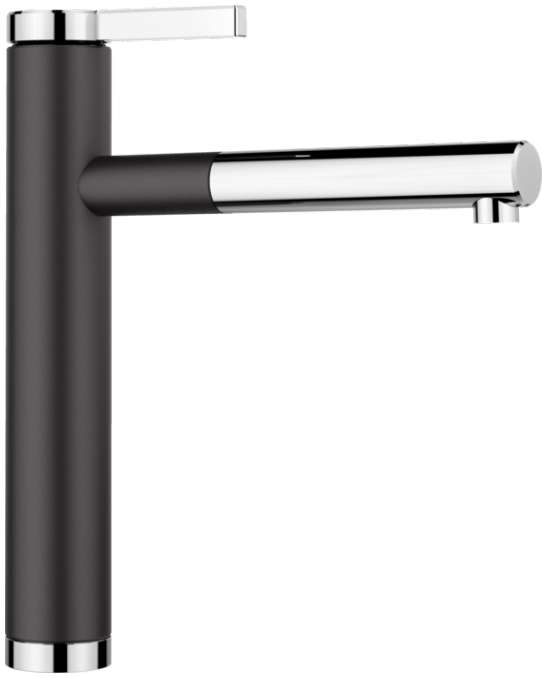
Item no. 526171

Benefits



- Extendable spray in high-quality metal finish
- Silgranit-look colour version matching the Silgranit sinks and bowls

Colours



Available colours:

black/chrome

anthracite/chrome

rock grey/chrome

volcano grey/chrome

white/chrome

soft white/chrome

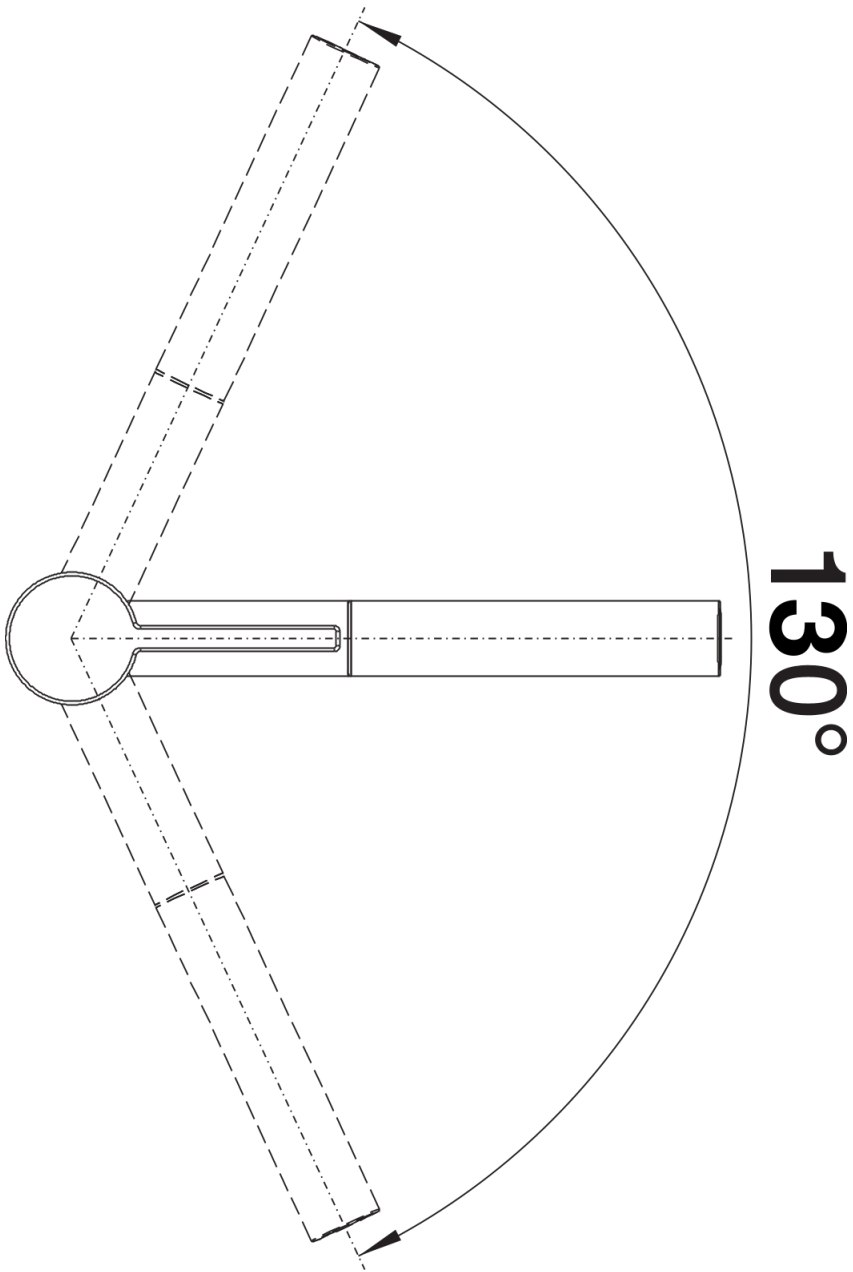
tartufo/chrome

SILGRANIT Look dual finish black/chrome

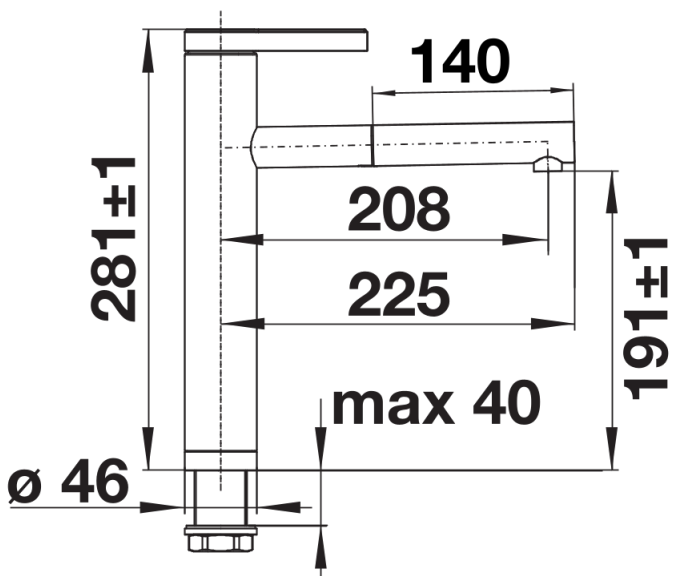
Scope of supply

- 130° swivel spout for greater reach
- Ø 35 mm tap hole required
- With ceramic disk cartridge
- Patented jet regulator for markedly reduced scaling
- Spray made of metal
- Metal-sheathed spray hose
- Hose weight for reliable retraction
- Flexible connector pipes, 500 mm long and $\frac{3}{8}$ " nut
- Stabilisation plate to increase the stability of the tap when fitted in stainless steel sinks
- With non-return valve and thus guaranteed against reflux in accordance with EN 1717

Details



Swivel range



Side view