

Product information sheet METRA 6

Item no. 516180

Benefits



- Young, straight-lined design
- Practical solution for small kitchens
- The large capacity of the bowl provides generous room to do the washing up
- The additional bowl provides a high degree of comfort
- Can be installed reversibly and also as undermount sink

Colours



Available colours:

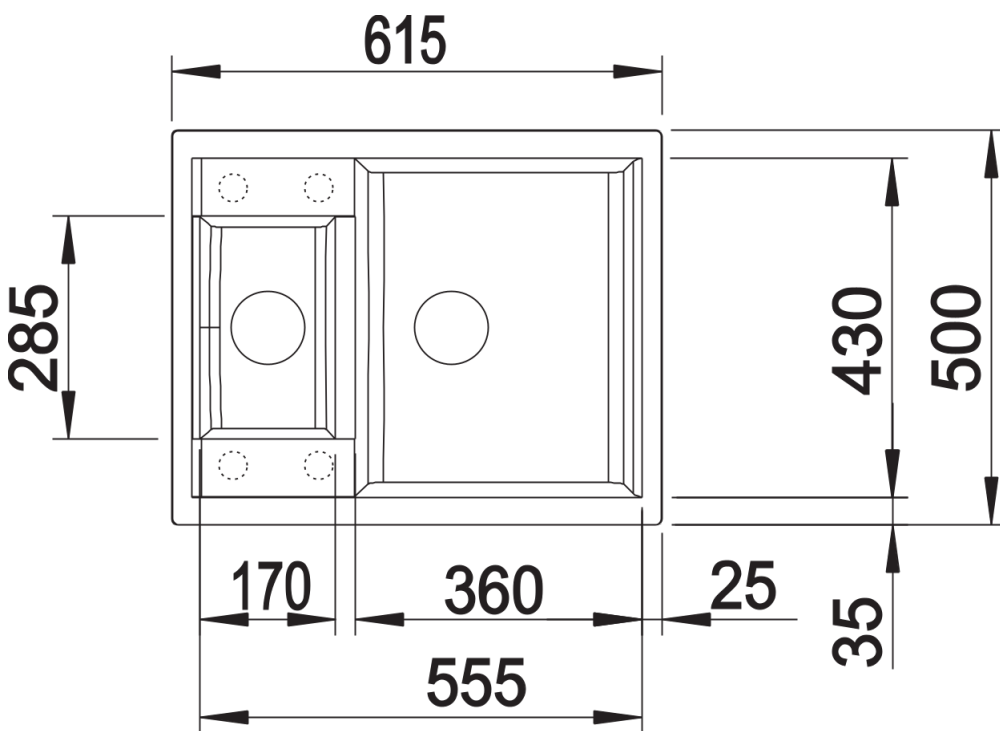
black
anthracite
rock grey
volcano grey
white
soft white
tartufo
coffee

SILGRANIT coffee

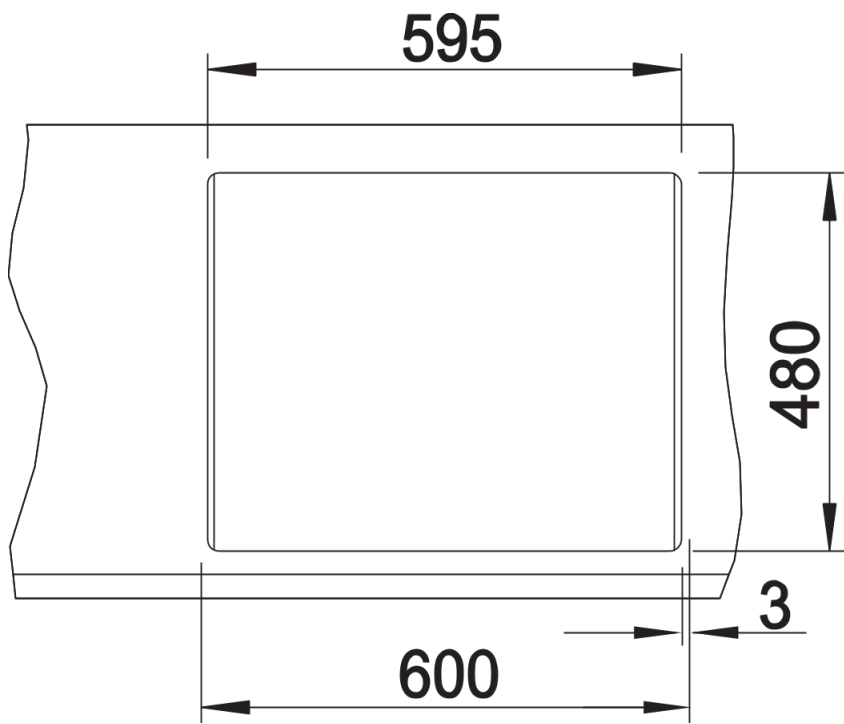
Scope of supply

- waste kit with space-saving pipe
- 2 x 3 ½" basket strainer

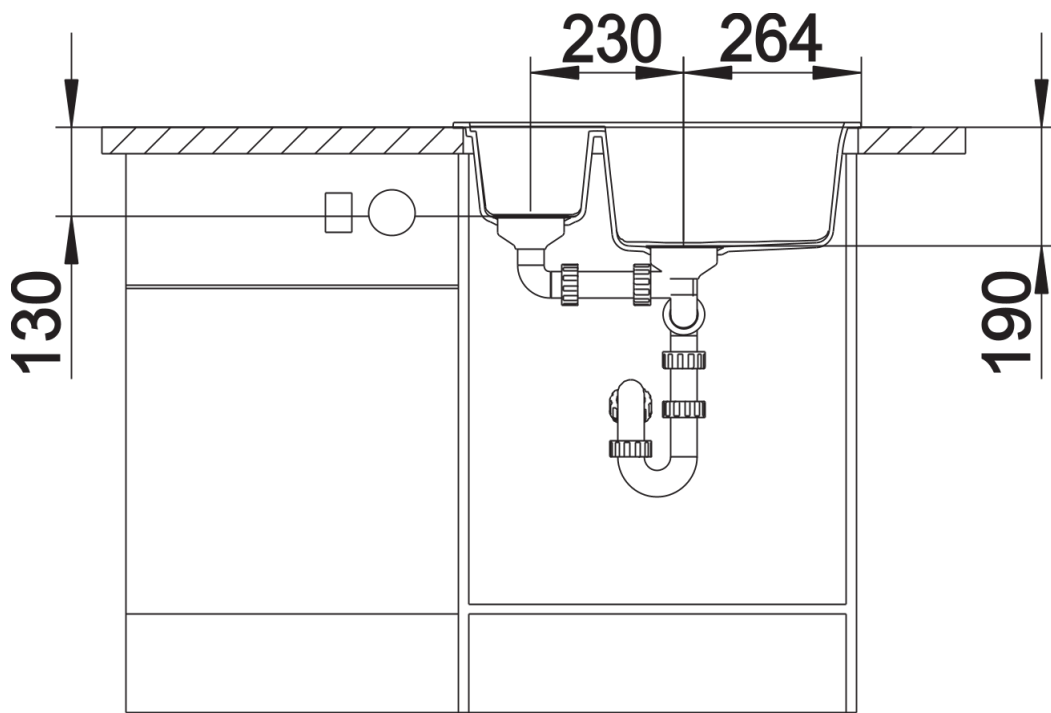
Details



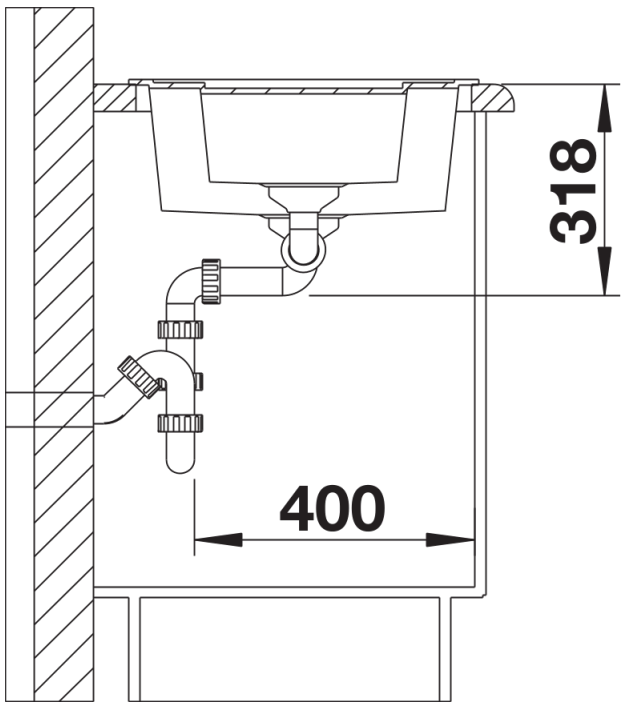
Top view



Cut-out



Front view



Side view