

Product information sheet METRA 6 S

Item no. 513046

Benefits



- Young, straight-lined design
- The large capacity of the main bowl provides generous room to do the washing up
- The additional bowl and the spacious draining area provide a high degree of comfort
- Can be installed reversibly

Colours



SILGRANIT white

Available colours:

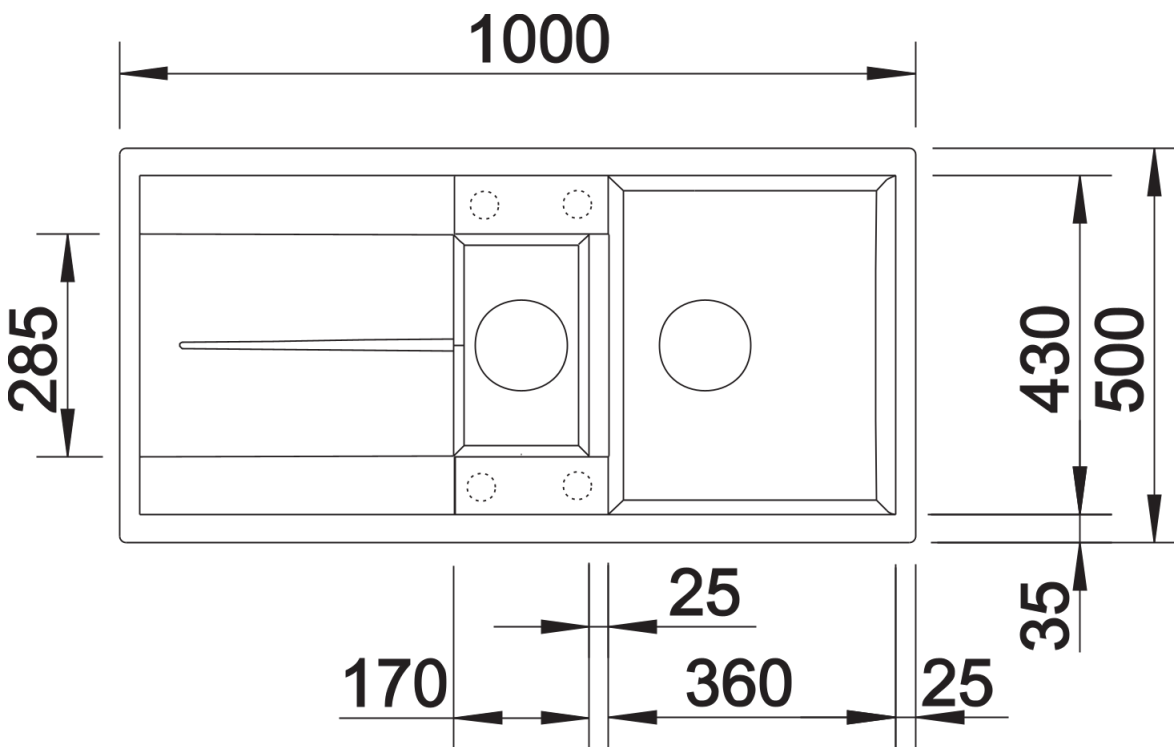
- black
- anthracite
- rock grey
- volcano grey
- white
- soft white
- tartufo
- coffee

Scope of supply

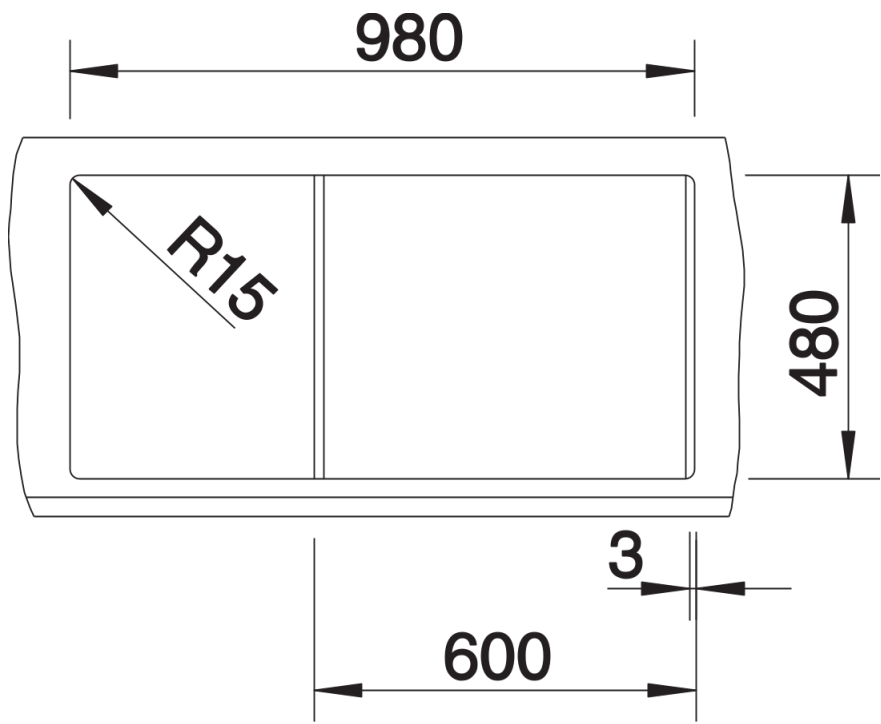
- multifunctional stainless steel colander
- waste kit with space-saving pipe
- 2 x 3 1/2" basket strainer with drain remote control (rotary switch) for the main bowl

217796 - Multifunctional colander

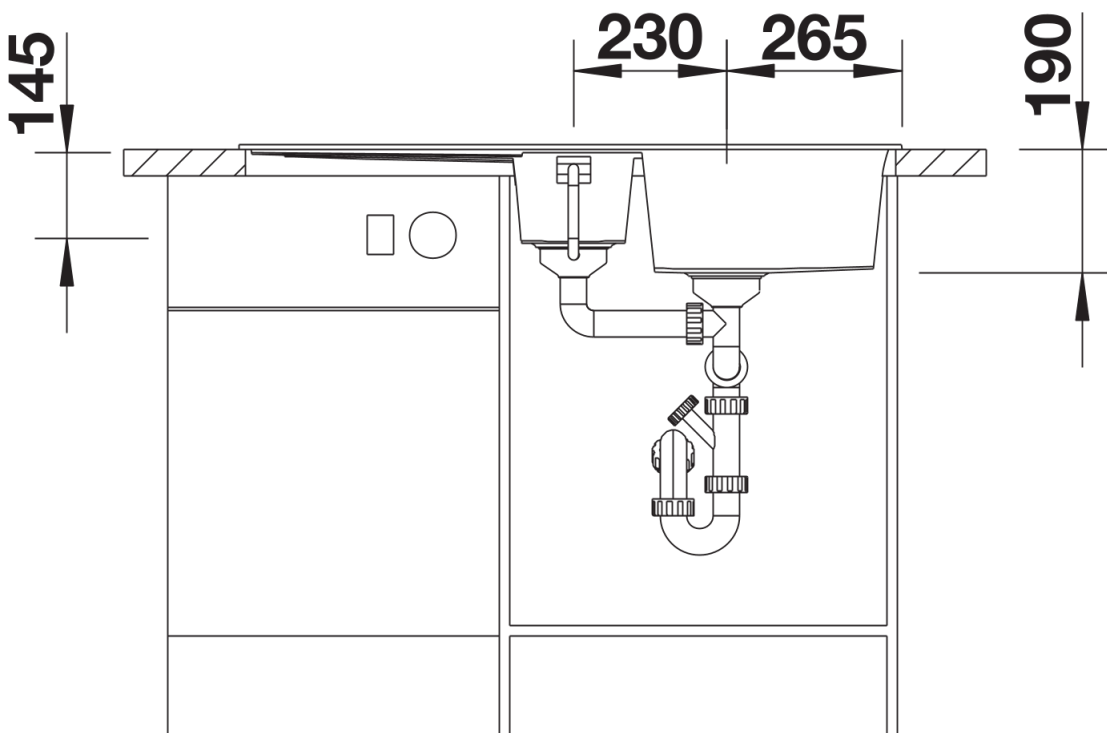
Details



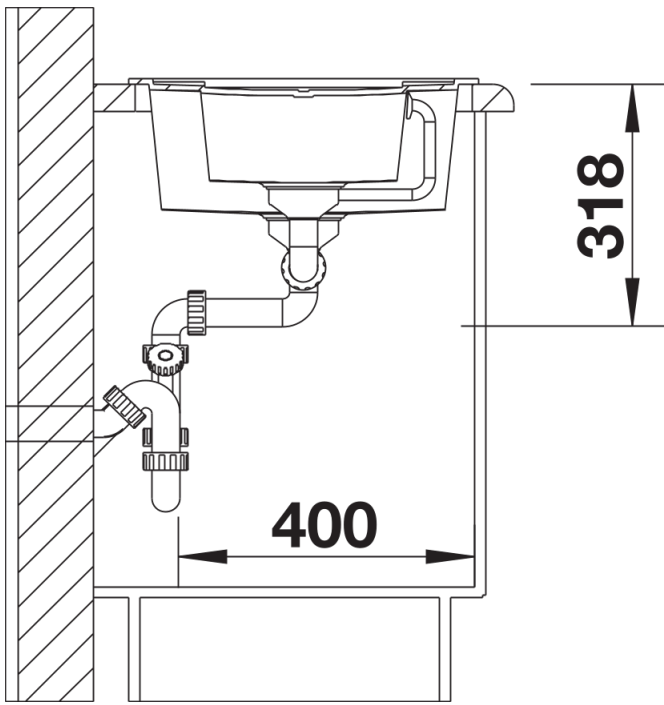
Top view



Cut-out



Front view



Side view