

## Product information sheet METRA 8 S

Item no. 513064

### Benefits

---



- Young, straight-lined design
- The large capacity of the bowl provides generous room to do the washing up
- The additional bowl provides a high degree of comfort
- Can be installed reversibly

## Colours

---



SILGRANIT white

Available colours:

- black
- anthracite
- rock grey
- volcano grey
- white
- soft white
- tartufo
- coffee

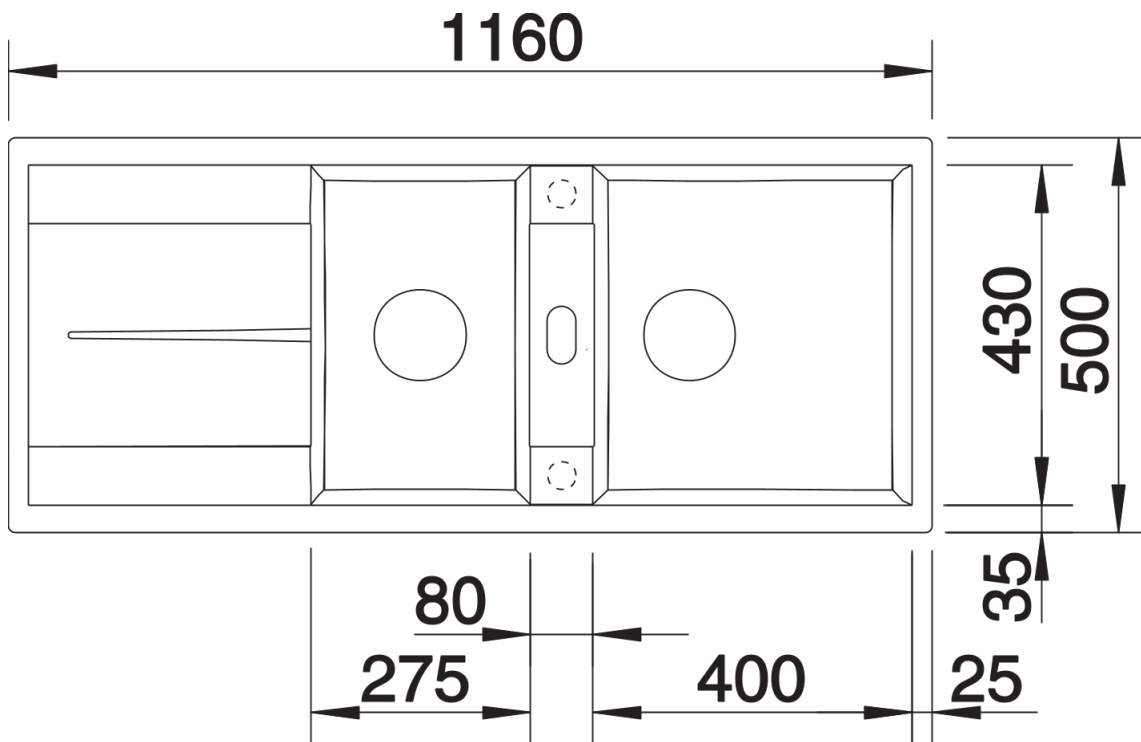
## Scope of supply

---

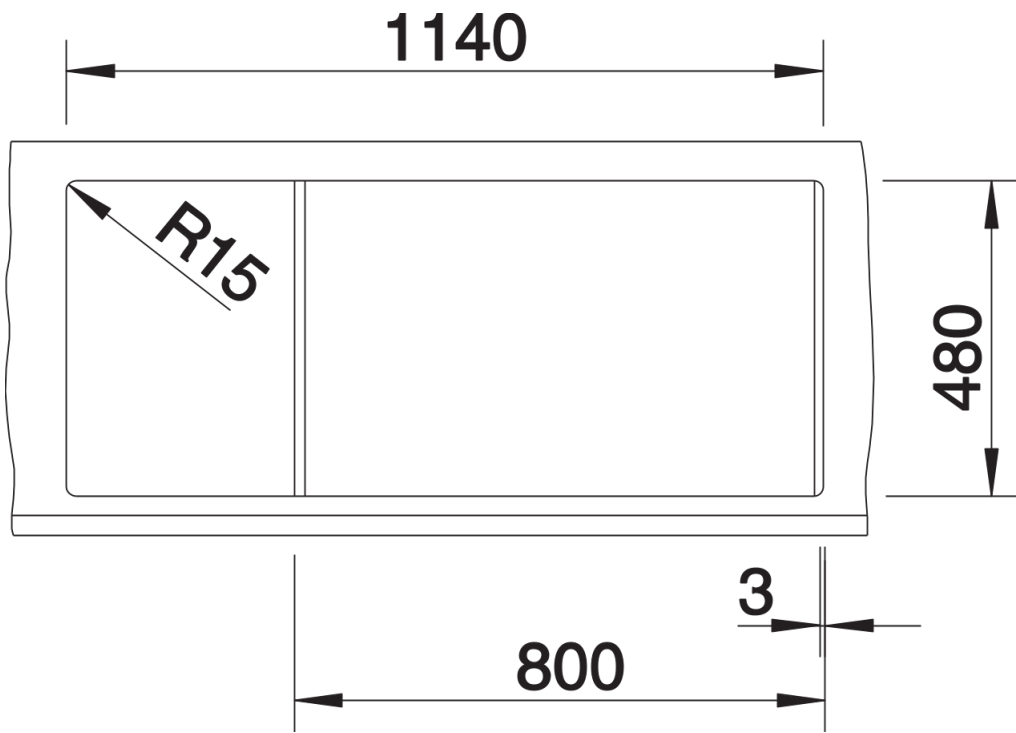
- waste kit with space-saving pipe
- 2 x 3 ½" basket strainer

## Details

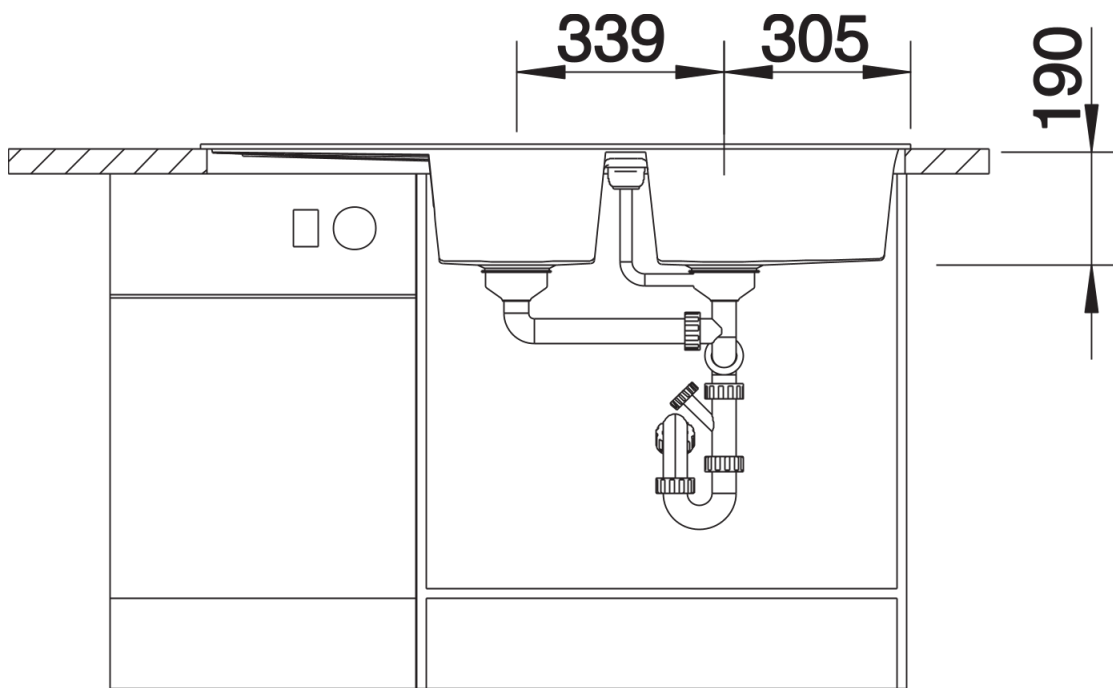
---



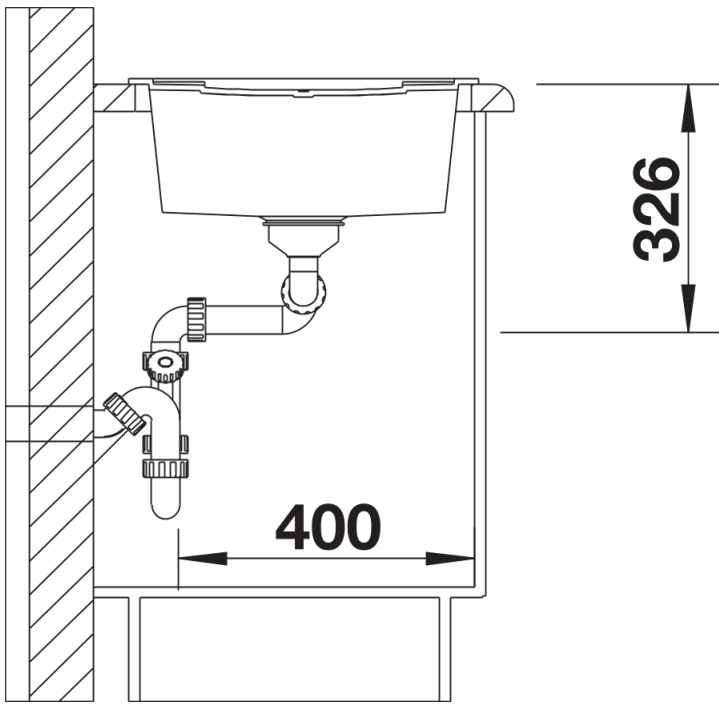
Top view



Cut-out



Front view



Side view