

Product information sheet METRA XL 6 S

Item no. 515136

Benefits



- Young, straight-lined design
- The large capacity of the bowl provides generous room to do the washing up
- Spacious draining area provides a high degree of comfort
- Can be installed reversibly

Colours



SILGRANIT white

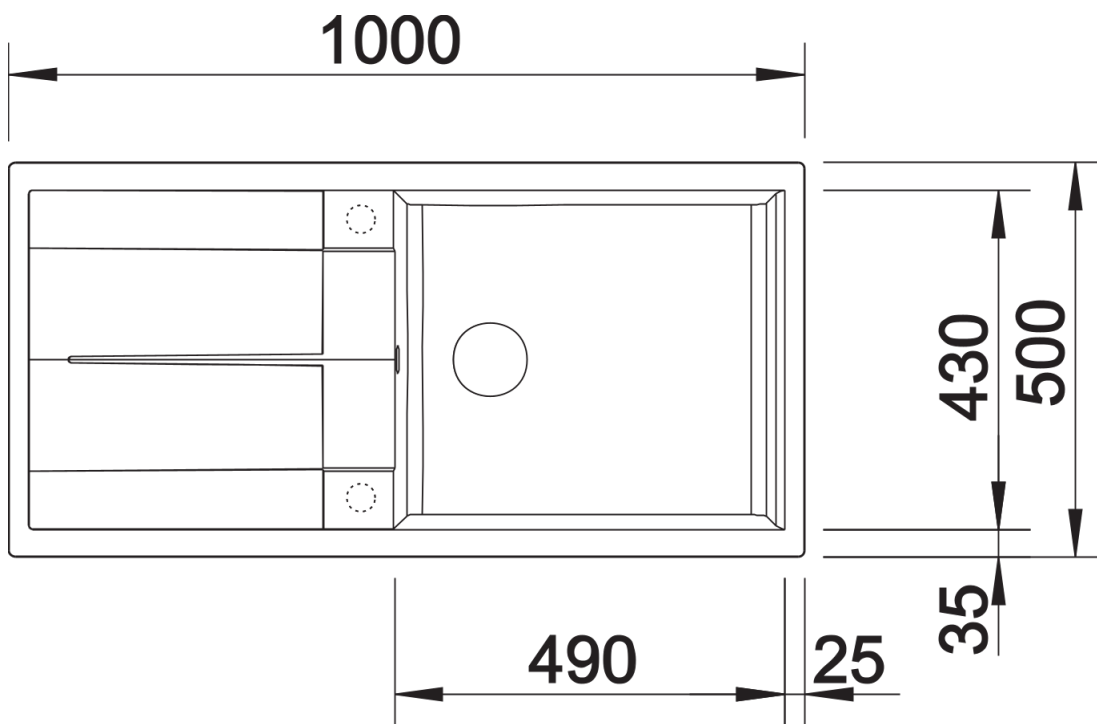
Available colours:

black
anthracite
rock grey
volcano grey
white
soft white
tartufo
coffee

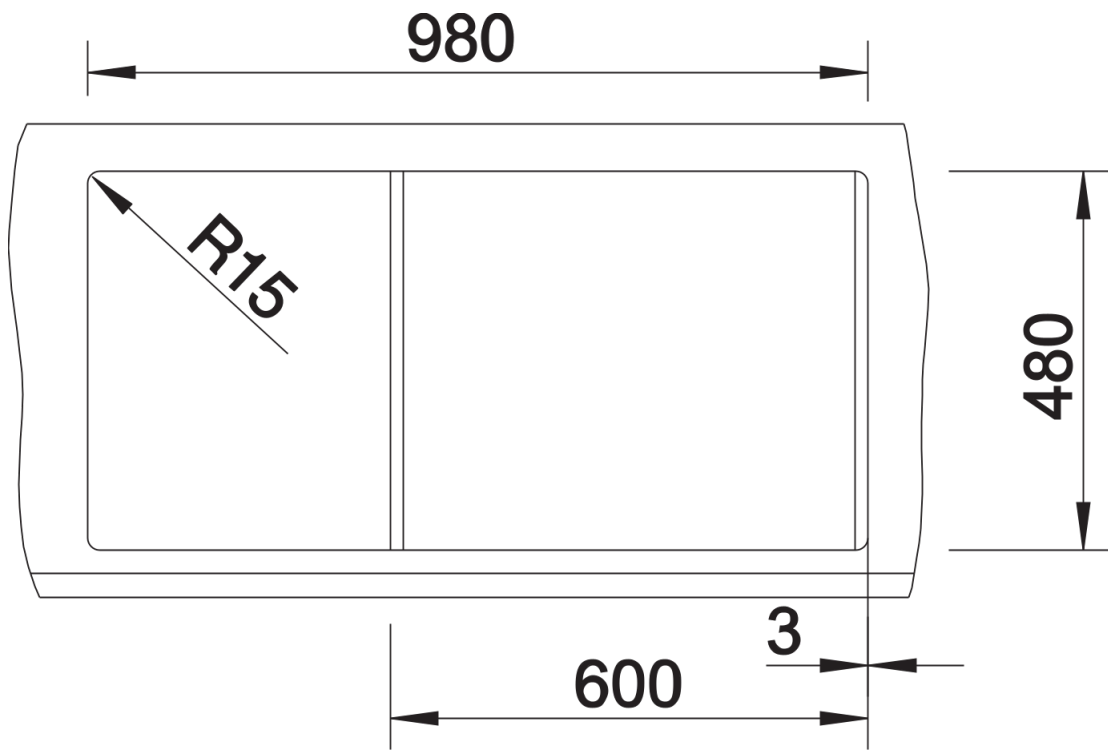
Scope of supply

- waste kit with space-saving pipe
- 3 1/2" basket strainer

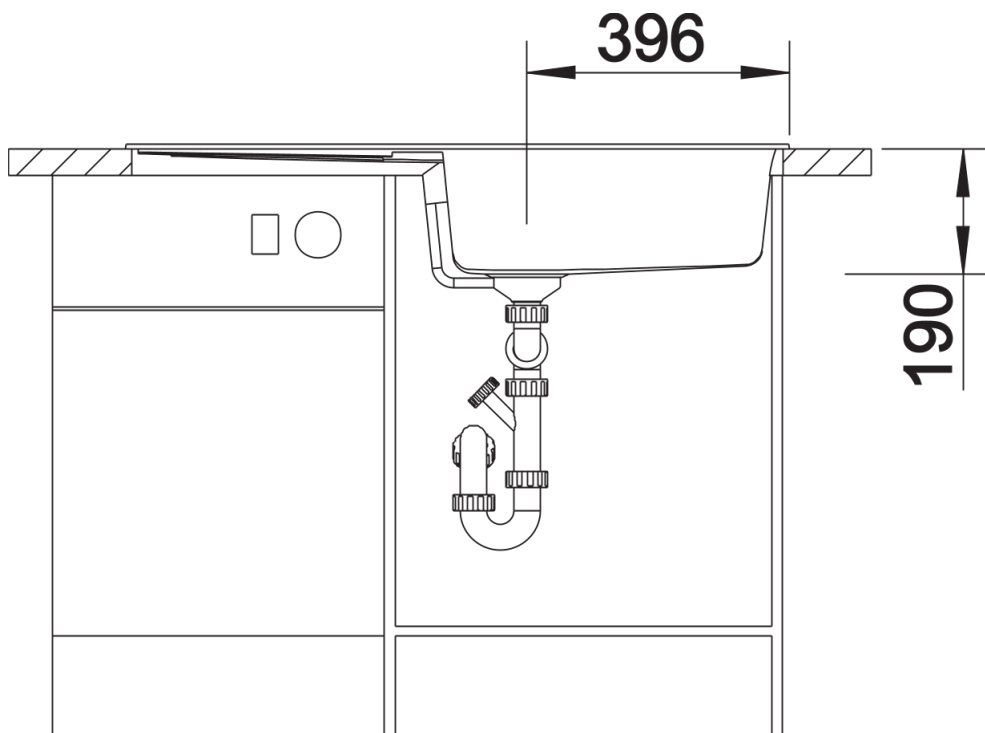
Details



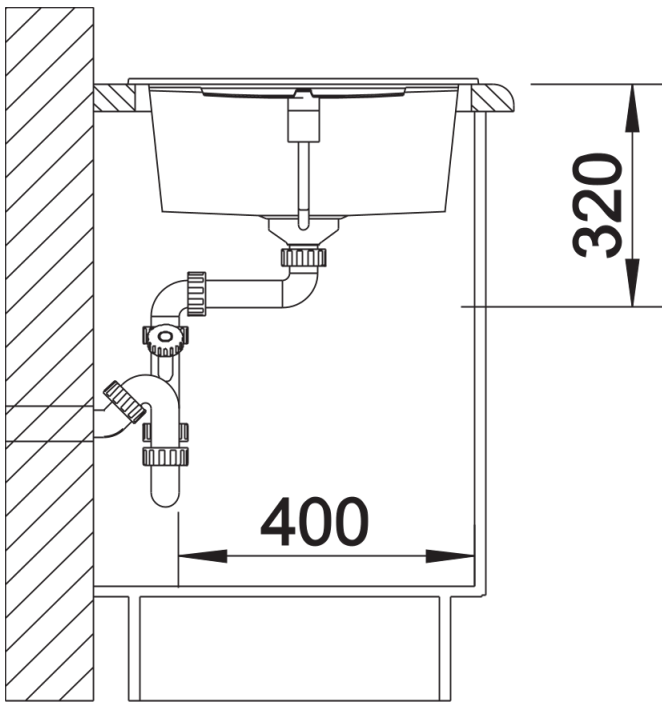
Top view



Cut-out



Front view



Side view