

## Product information sheet METRA 9

Item no. 513269

### Benefits

---



- Young, straight-lined design
- The large capacity of the bowl provides generous room to do the washing up
- Large tap ledge for installation of mixer tap and soap dispenser

## Colours

---



Available colours:

black  
anthracite  
rock grey  
volcano grey  
white  
soft white  
tartufo  
coffee

SILGRANIT white

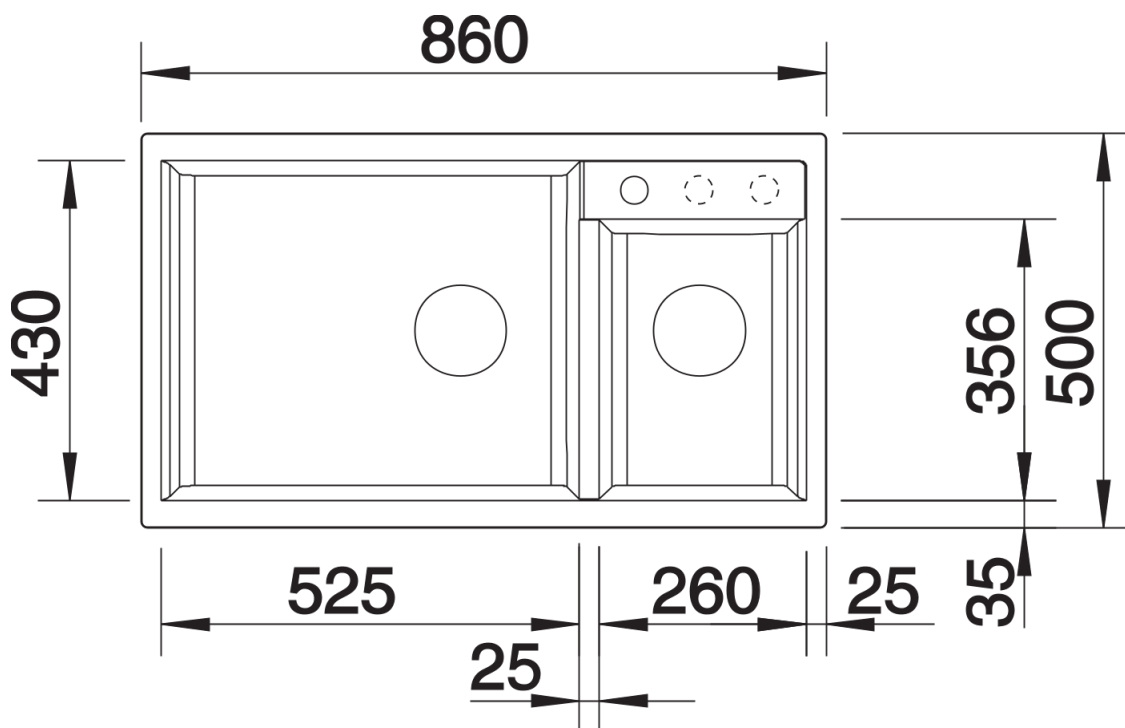
## Scope of supply

---

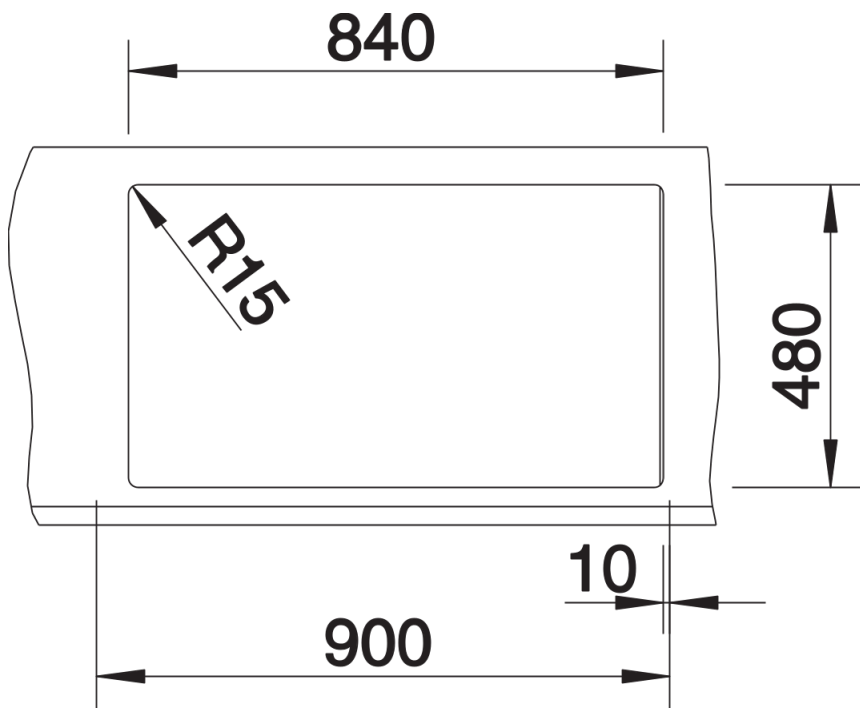
- waste kit with space-saving pipe
- 2 x 3 ½" basket strainer

## Details

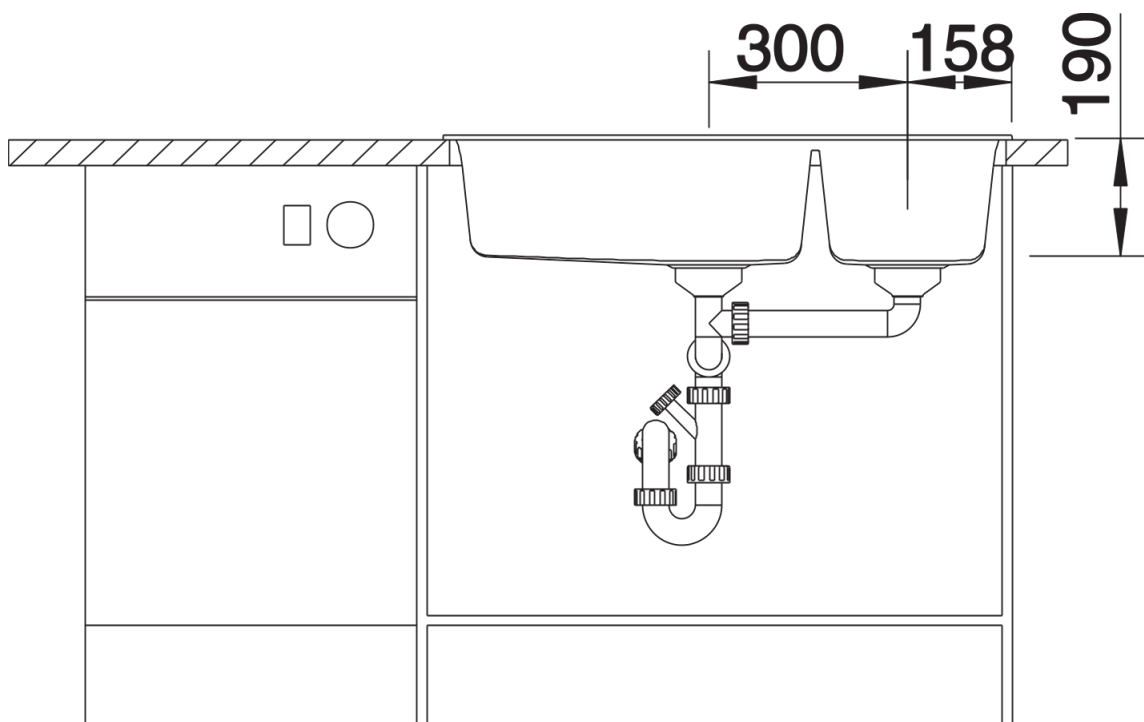
---



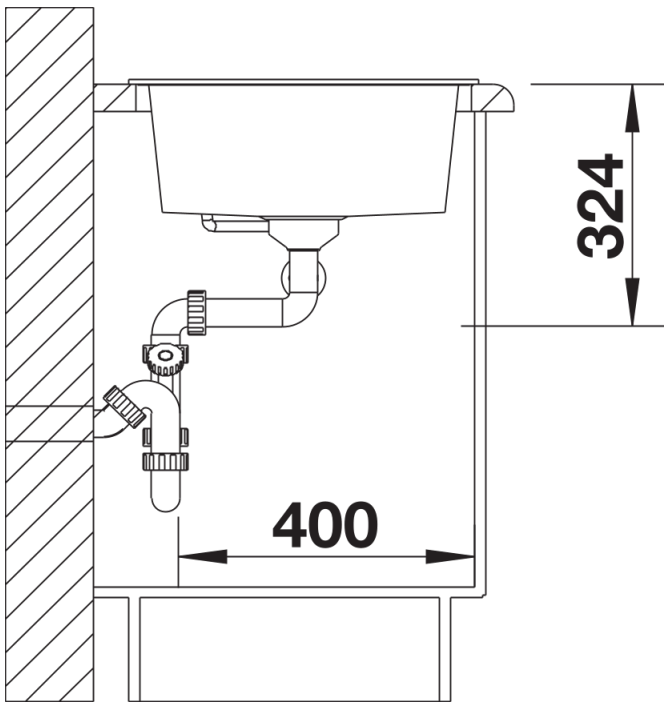
Top view



Cut-out



Front view



Side view