

Product information sheet PERISCOPE-S-F II

Item no. 516671

Benefits



- The solution beneath window in modern look
- Higher spout for easier filling of pans and vases
- Contemporary design
- Easy to lower by hand
- High-quality metal spray
- Uniform tap holes (2 x 35 mm) for tap and operating lever (regardless of installation medium)
- Mainly suitable for combining with undermount bowl

Colours



Available colours:

chrome

galvanic chrome

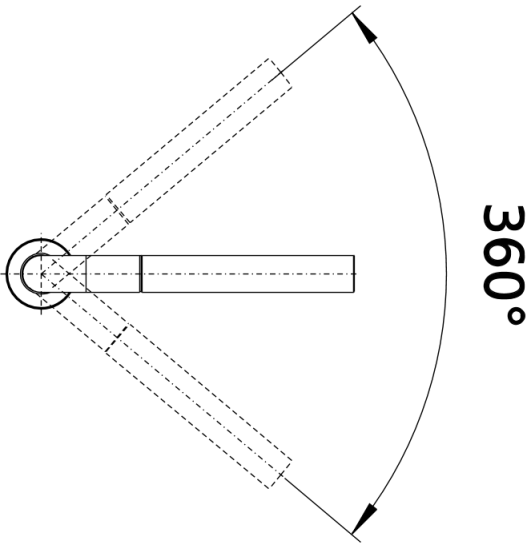
Planning information

- Note:
- Minimum clearance for middle of tap hole is 70 mm.
- Maximum clearance for middle of tap hole is 500 mm.
- Installation depth for the BLANCO PERISCOPE-S-F II is 450 mm (inc. spray hose). Otherwise there is a risk of it knocking against the waste management system, boiler, etc.
- *Minimum clearance between sink and window sash 5 cm.

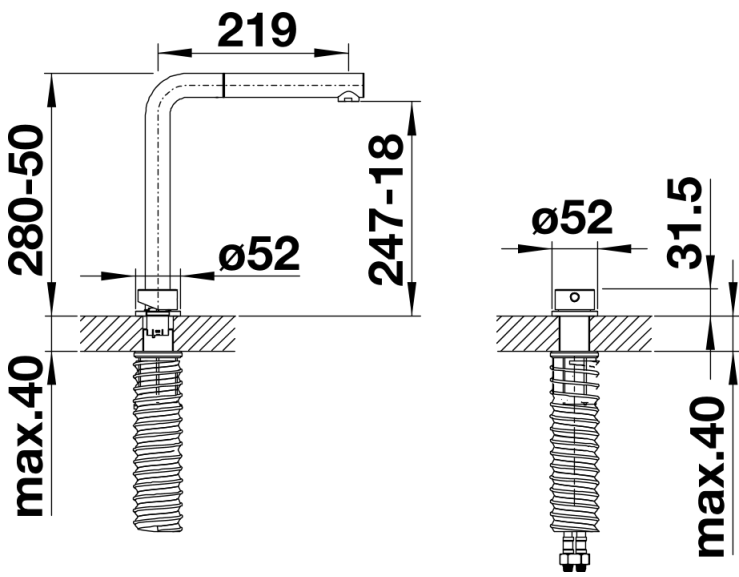
Scope of supply

- Spout can be retracted and swivelled by 360°
- 2 x 35 mm Ø tap holes required for tap and operating lever
- With ceramic disk cartridge
- Metal-sheathed spray hose
- Flexible connector pipes, 750 mm long and 3/8" nut for particularly easy installation
- Patented jet regulator for markedly reduced scaling
- With non-return valve and thus guaranteed against reflux in accordance with EN 1717
- LGA approved
- DVGW approved

Details



Swivel range



Side view