

## Product information sheet SELECT 60/2 Orga

Item no. 518725

### Benefits

---



- Models with small bins and lids, ideal for food waste collection
- Optimum space utilisation
- Modern, harmonious and functional design
- Integrated construction prevents dirt
- High-quality organisation drawer designed to match the waste system
- Unbeatably quick and easy to install
- A wide range of optional accessories

## Planning information

---

- Installation height 456 mm (universal compartments used can be moved to avoid waste kit), installation depth 400 mm, required internal cabinet dimensions for pull-out rails 450 mm.
- This requires front doors without hinges or drill holes. Please note the handle position.
- Also suitable for installation in base cabinets with frame and panel doors with frames from 40 mm.
- When planning, please note the installation height of the waste management system, the installation depth of the sink and the resulting minimum dimensions of the base cabinet.
- Minimum recommended plinth height for MOVEX installation: 100 mm.

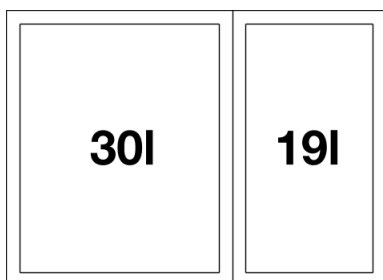
## Scope of supply

---

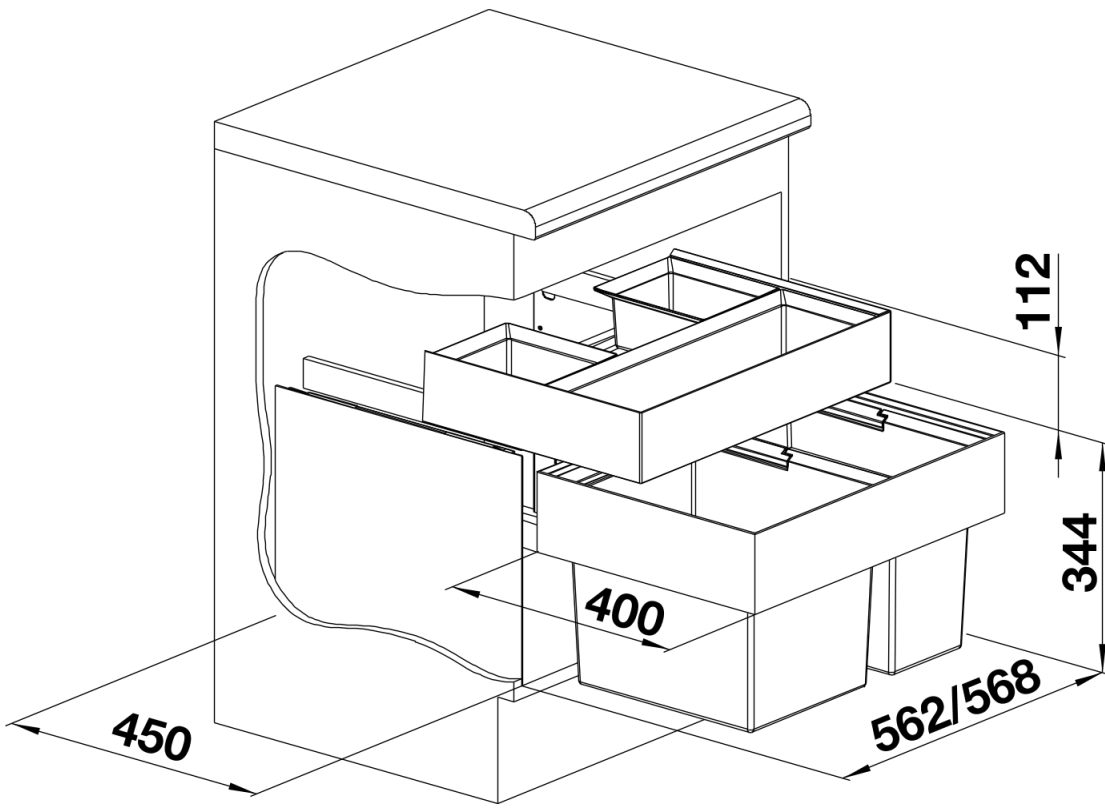
- pull-out system for front attachment, organisation drawer, 1 x 30 l and 1 x 19 l bin

## Details

---



Top view



PRODUKT\_3D