

Product information sheet SOLENTA-S

Item no. 522404

Benefits



- Semi-professional design with elevated user convenience
- Also available in PVD steel surface finish
- Precise magnetic spray holder for an added convenience
- Pull-down with dual spray function: easy switch from aerated stream to powerful rinse spray
- High-quality stainless steel hose cover for more stability, ease of movement and cleaning convenience

Colours



Available colours:

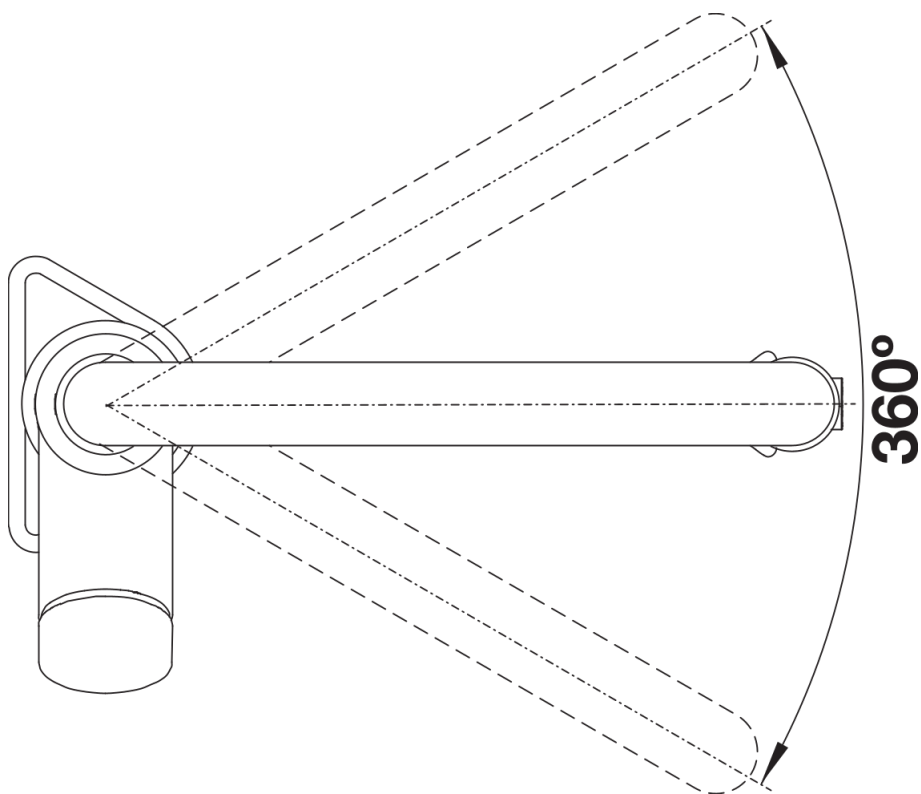
chrome

galvanic chrome

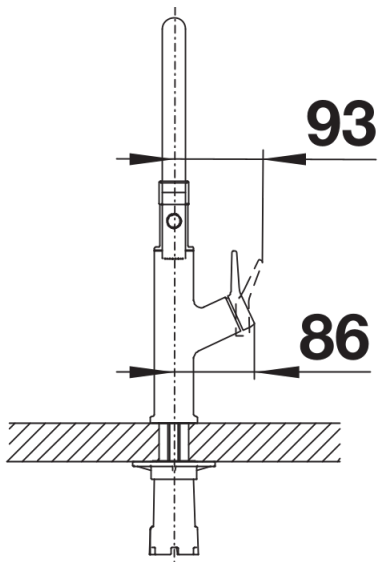
Scope of supply

- 360° swivel spout for greater reach
- Ø 35 mm tap hole required
- With ceramic disk cartridge
- Metal-sheathed spray hose
- Flexible connection pipes with a length of 450 mm and $\frac{3}{8}$ " nut for particularly easy and secure installation
- Patented jet regulator for markedly reduced scaling
- Stabilising plate to increase the stability of the tap when fitted in stainless steel sinks
- With non-return valve and thus guaranteed against reflux in accordance with EN 1717
- LGA approved
- DVGW approved

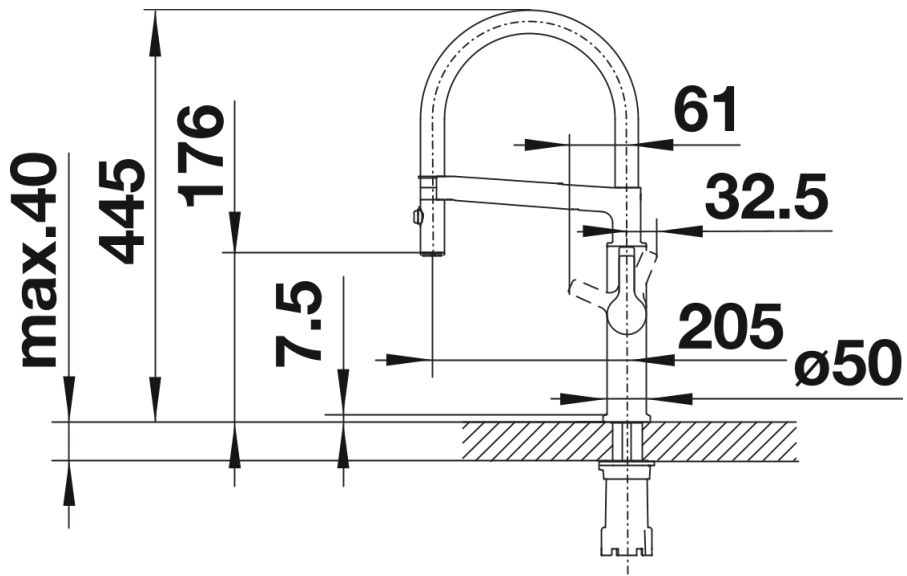
Details



Swivel range



Side view hand gear 2D



Side view