

## Product information sheet SUPRA 400-U

Item no. 518201

### Benefits

---



- Selective range of bowls in a pleasing design
- Practical accessory optional available

## Planning information

---

- Note: Please order drain connections for combinations of two individual bowls separately.

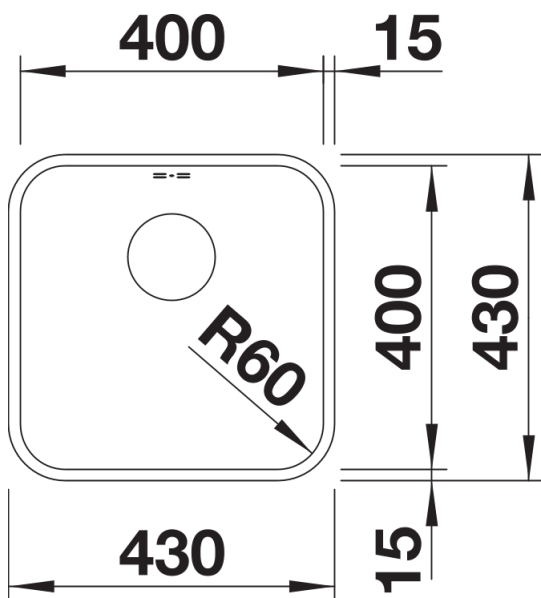
## Scope of supply

---

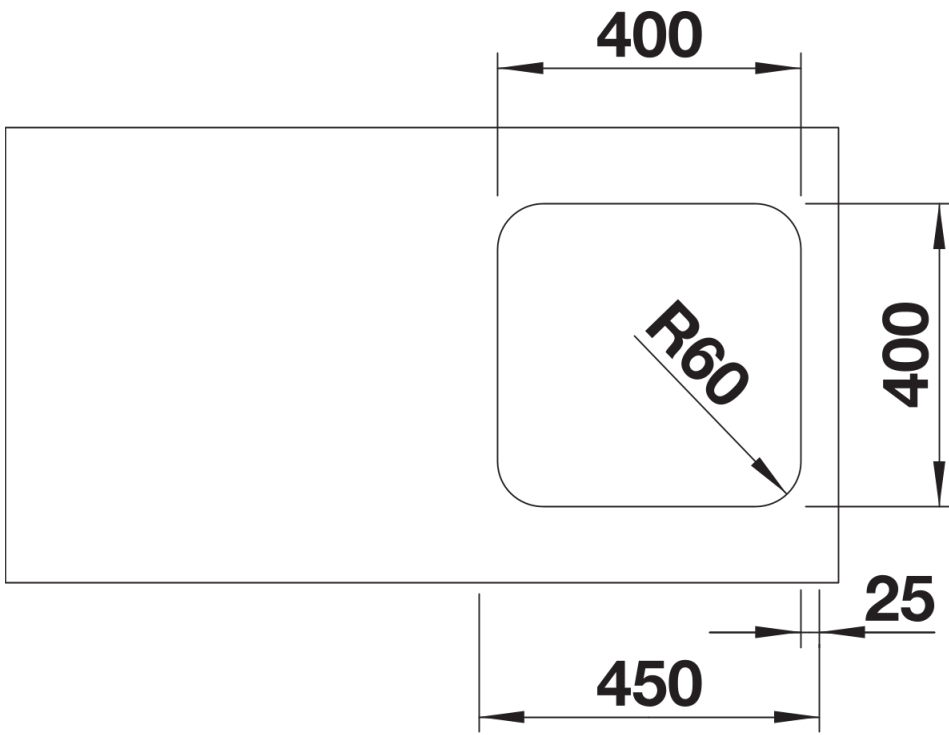
- waste kit with space-saving pipe
- 3 ½" basket strainer
- fixing kit

## Details

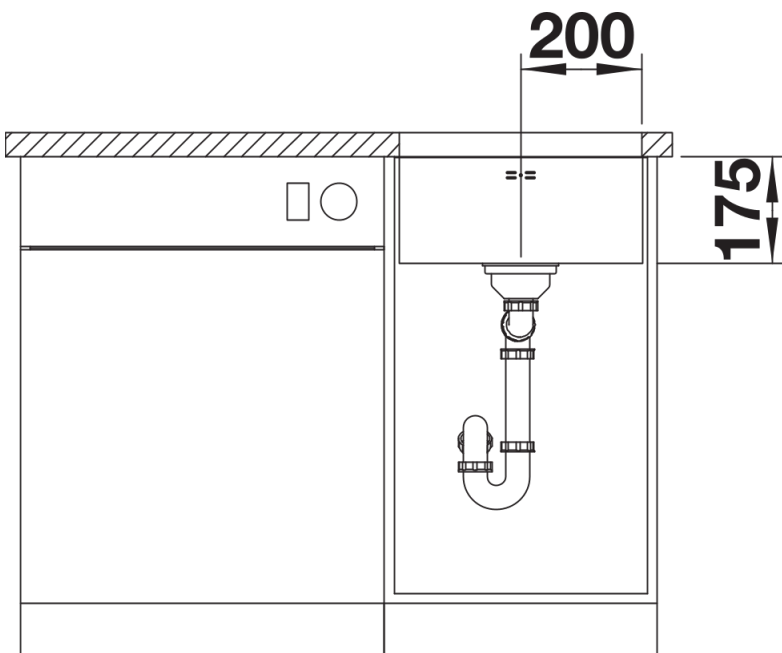
---



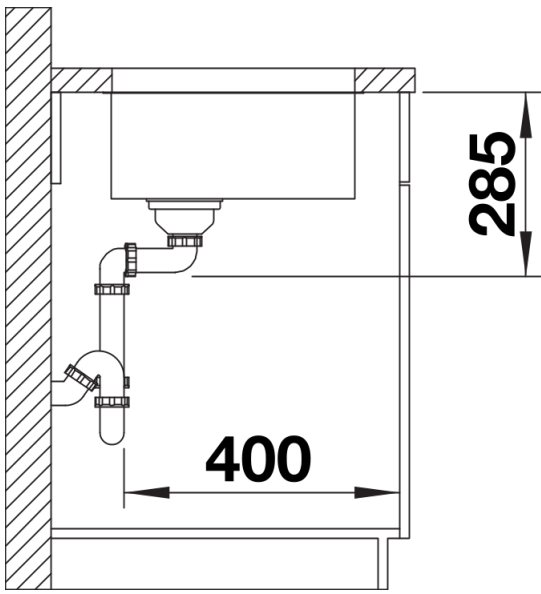
Top view



Cut-out



Front view



Side view