

## Product information sheet TIPO 45 S Compact

Item no. 513441

### Benefits

---



- Functional design
- Large bowl sizes
- Compact drainboard
- With 3 ½" stainless steel basket strainer
- Can be installed reversibly

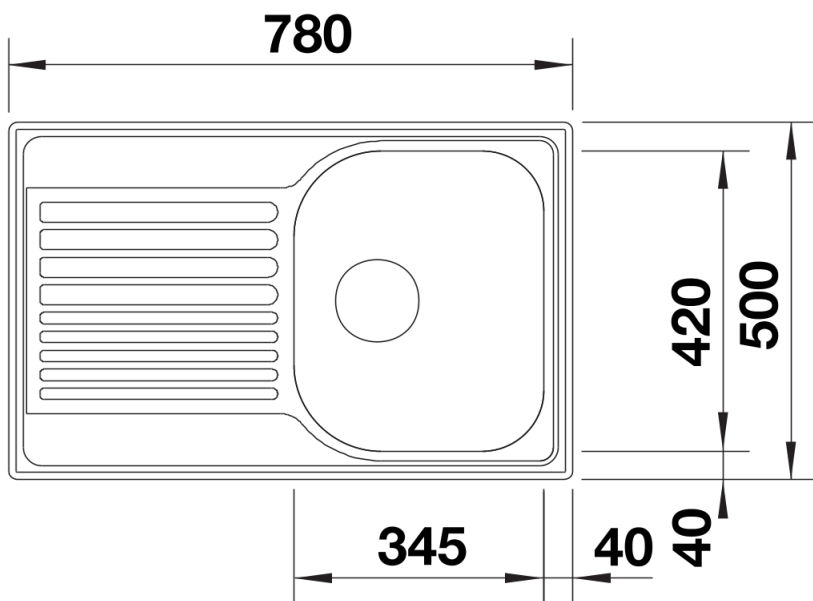
## Scope of supply

---

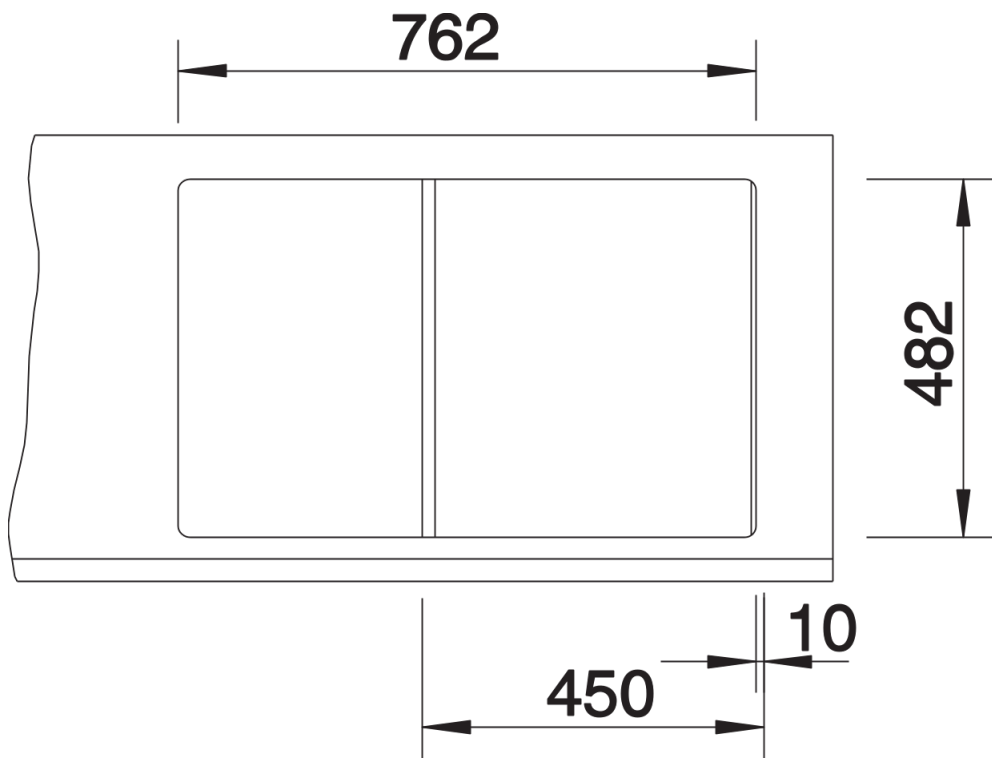
- waste kit with space-saving pipe
- 3 1/2" basket strainer
- seal

## Details

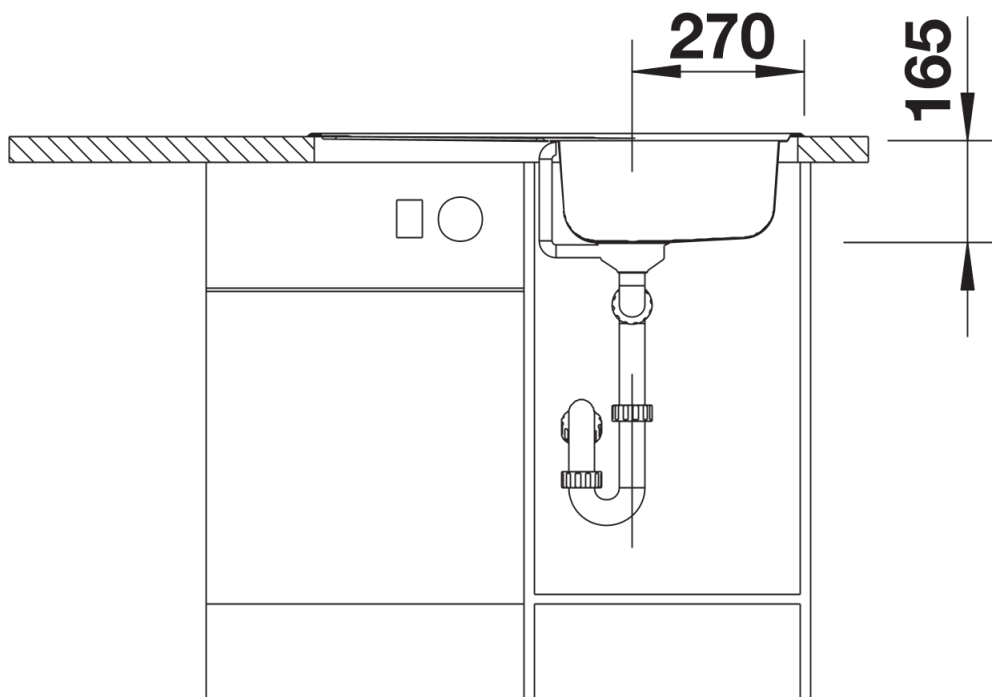
---



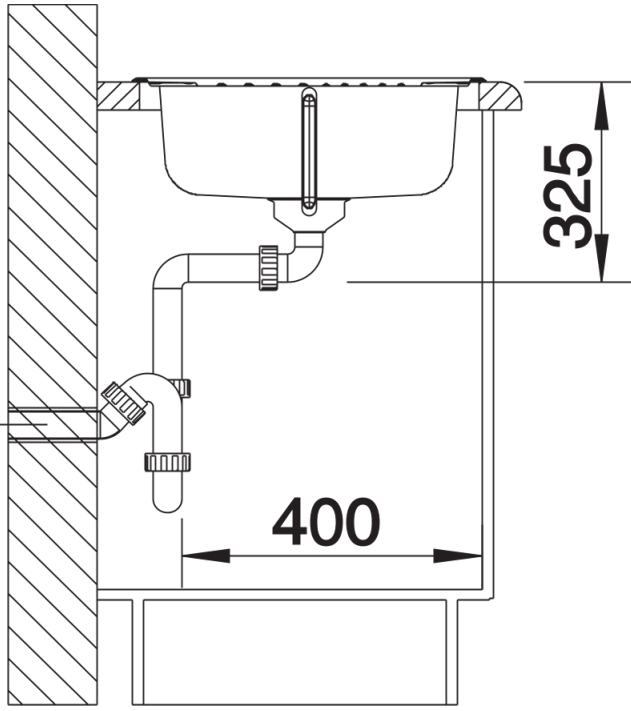
## Top view



Cut-out



Front view



Side view