

Product information sheet TIVO-S-F

Item no. 518410

Benefits



- Suitable for installation beneath window
- Simple to operate: lift straight up and lay on one side
- High spout for easier work at the sink
- Extendable spray with switching function

Colours



Available colours:
chrome

galvanic chrome

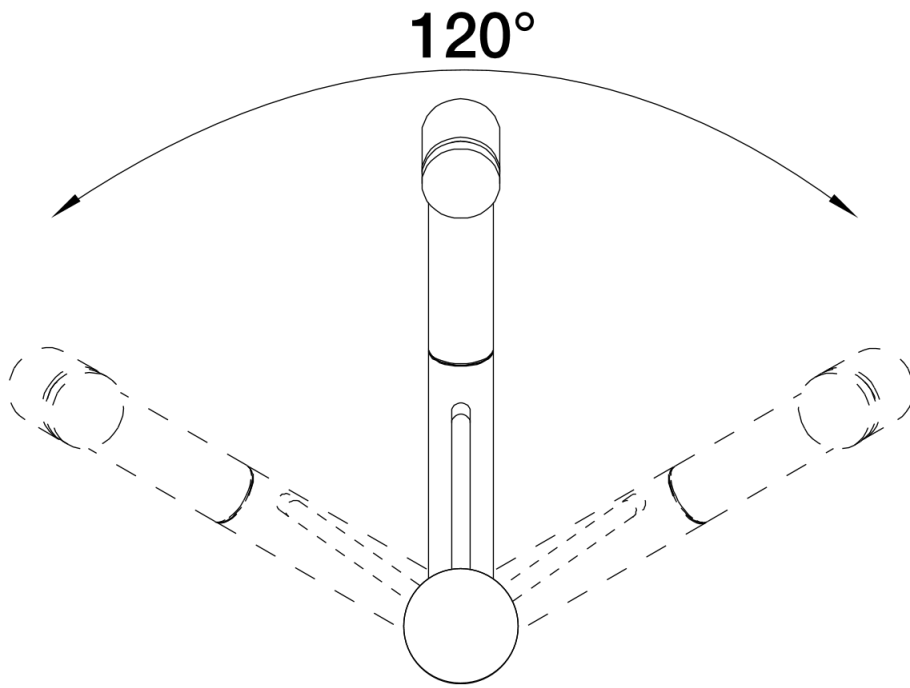
Planning information

- *Minimum clearance between sink and window sash 5.5 cm.
- For ND version with flow rate control to protect the boiler.

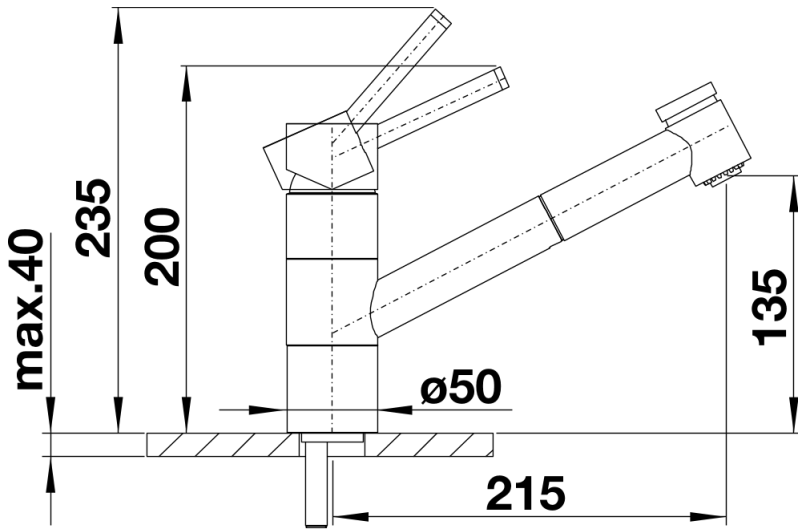
Scope of supply

- Spout can be swivelled by 120°
- Ø 35 mm tap hole required
- With ceramic disk cartridge
- Metal-sheathed spray hose
- Flexible connection pipes with a length of 750 mm and 3/8" nut for particularly easy and secure installation
- Patented jet regulator for markedly reduced scaling
- Stabilisation plate to increase the stability of the tap when fitted in stainless steel sinks
- With non-return valve and thus guaranteed against reflux in accordance with EN 1717
- LGA approved
- DVGW approved

Details



Swivel range



Side view