

Product information sheet TIVO

Item no. 517599

Benefits



- High spout for easier work at the sink
- Enlarged working radius due to 360° swivelling arc spout
- Particularly adapted for modern sinks

Colours



Available colours:
chrome

galvanic chrome

Planning information

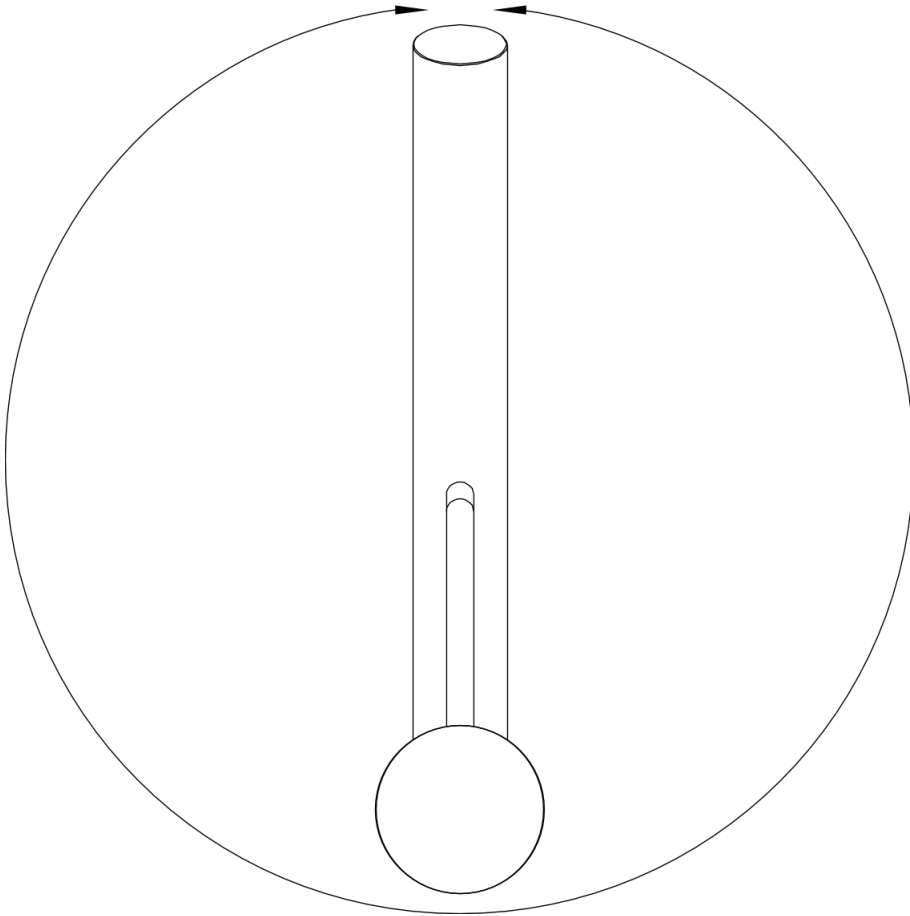
- For ND version with flow rate control to protect the boiler.

Scope of supply

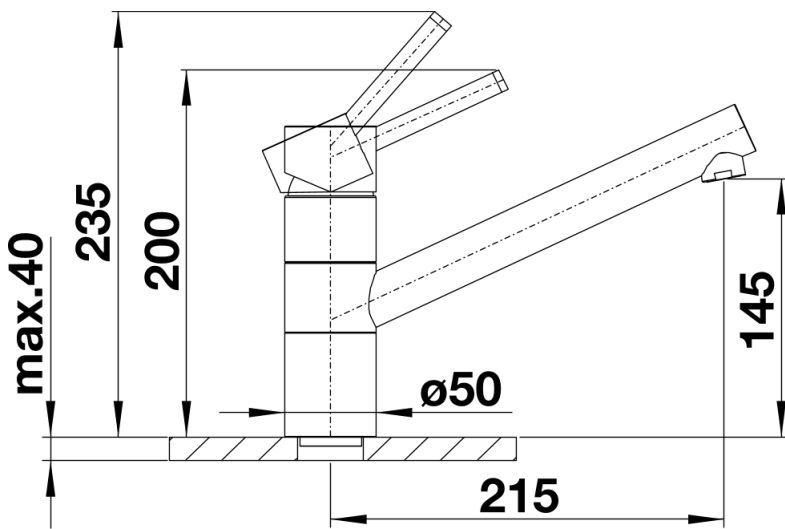
- 360° swivel spout for greater reach
- Ø 35 mm tap hole required
- With ceramic disk cartridge
- Flexible connection pipes with a length of 450 mm and 3/8" nut for particularly easy and secure installation
- Patented jet regulator for markedly reduced scaling
- Stabilisation plate to increase the stability of the tap when fitted in stainless steel sinks
- LGA approved
- DVGW approved

Details

360°



Swivel range



Side view