

Product information sheet TIVO-F

Item no. 518409

Benefits



- Suitable for installation beneath window
- Simple to operate: lift straight up and lay on one side
- High spout for easier work at the sink
- Enlarged working radius due to 360° swivelling arc spout

Colours



Available colours:
chrome

galvanic chrome

Planning information

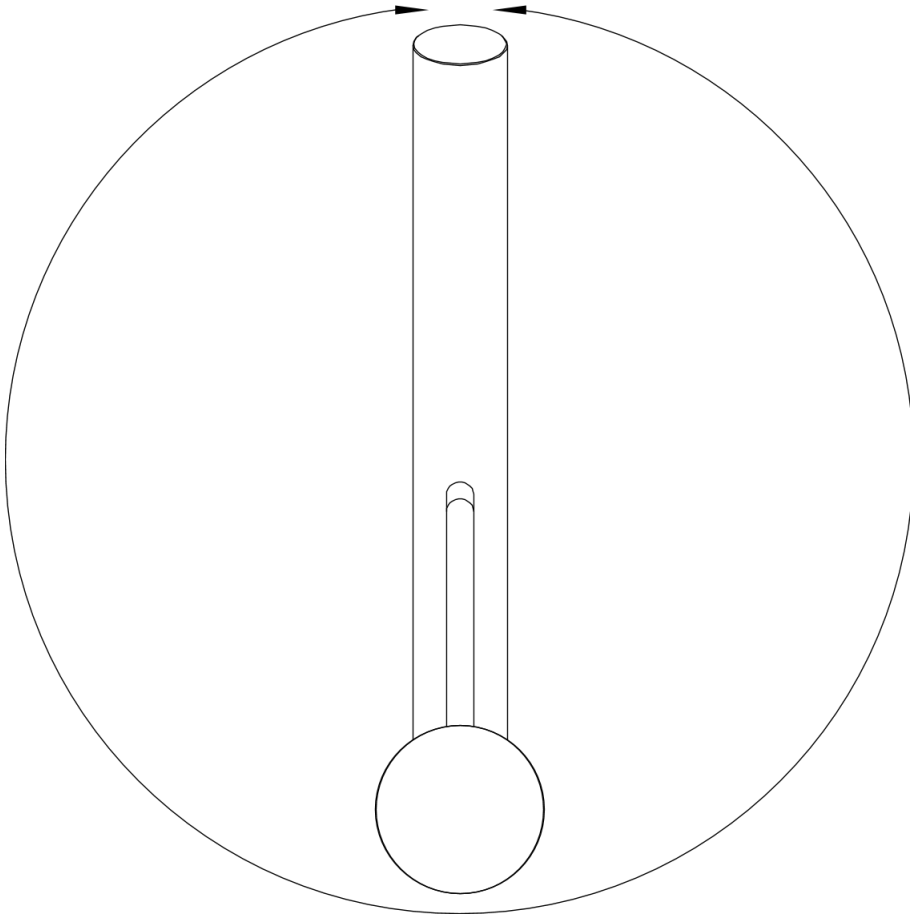
- *Minimum clearance between sink and window sash 4.5 cm.

Scope of supply

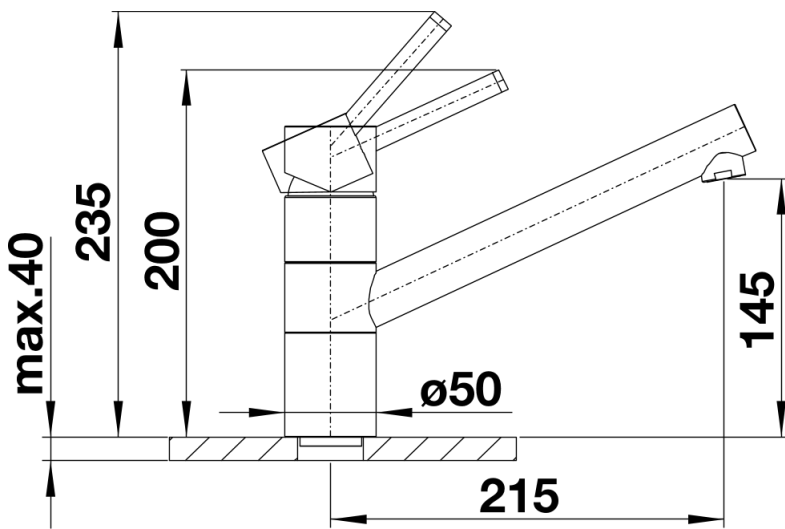
- 360° swivel spout for greater reach
- Ø 35 mm tap hole required
- With ceramic disk cartridge
- Flexible connection pipes with a length of 750 mm and 3/8" nut for particularly easy and secure installation
- Patented jet regulator for markedly reduced scaling
- Stabilisation plate to increase the stability of the tap when fitted in stainless steel sinks

Details

360°



Swivel range



Side view