

Product information sheet TIVO-S

Item no. 517610

Benefits



- High spout for easier work at the sink
- Extendable spray with switching function
- Particularly adapted for modern sinks
- Colour version in perfect coordination with coloured SILGRANIT™ sinks and bowls

Colours



Available colours:
anthracite/chrome
rock grey/chrome
alu metallic/chrome
pearl grey/chrome
white/chrome
jasmine/chrome
tartufo/chrome
coffee/chrome

SILGRANIT™ Look dual finish anthracite/chrome

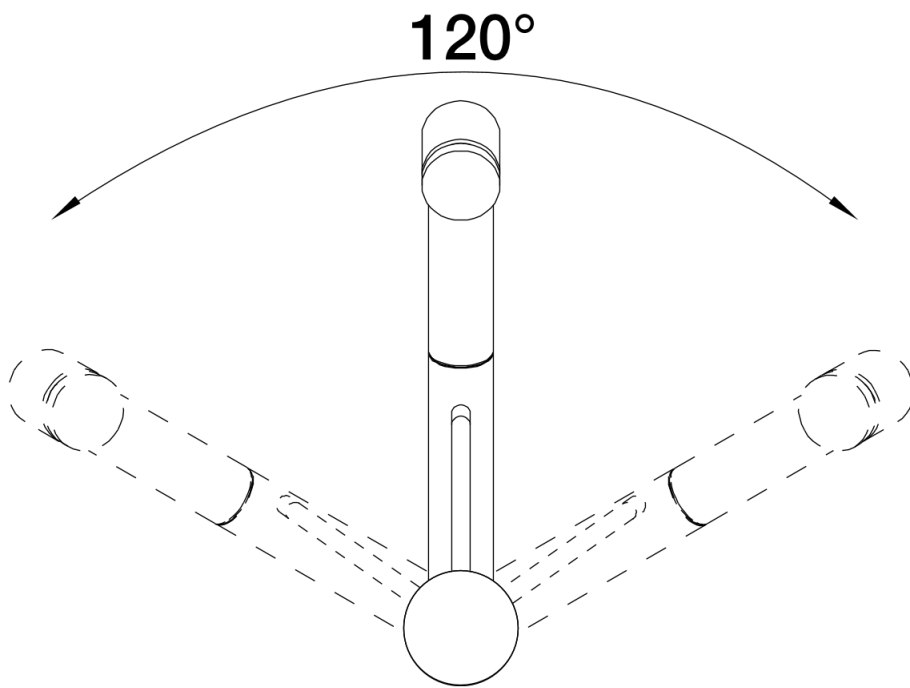
Planning information

- For ND version with flow rate control to protect the boiler.

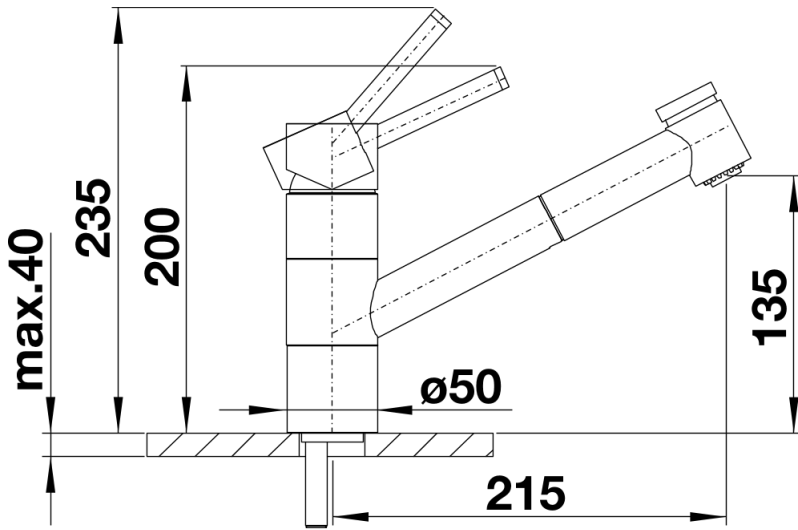
Scope of supply

- Spout can be swivelled by 120°
- Ø 35 mm tap hole required
- With ceramic disk cartridge
- Metal-sheathed spray hose
- Flexible connection pipes with a length of 450 mm and 3/8" nut for particularly easy and secure installation
- Patented jet regulator for markedly reduced scaling
- Stabilisation plate to increase the stability of the tap when fitted in stainless steel sinks
- With non-return valve and thus guaranteed against reflux in accordance with EN 1717
- LGA approved
- DVGW approved

Details



Swivel range



Side view