

Product information sheet ZEROX 340/180-IF/A

Item no. 521642

Benefits



- Zero-radius design with striking, right-angled bowl geometry
- Flush IF - flat rim
- Unique stability of the mixer tap due to the extensive stabilising technology
- InFino drain system with PushControl - the slim and intuitive remote control
- Wide product programme of exclusive inset bowls

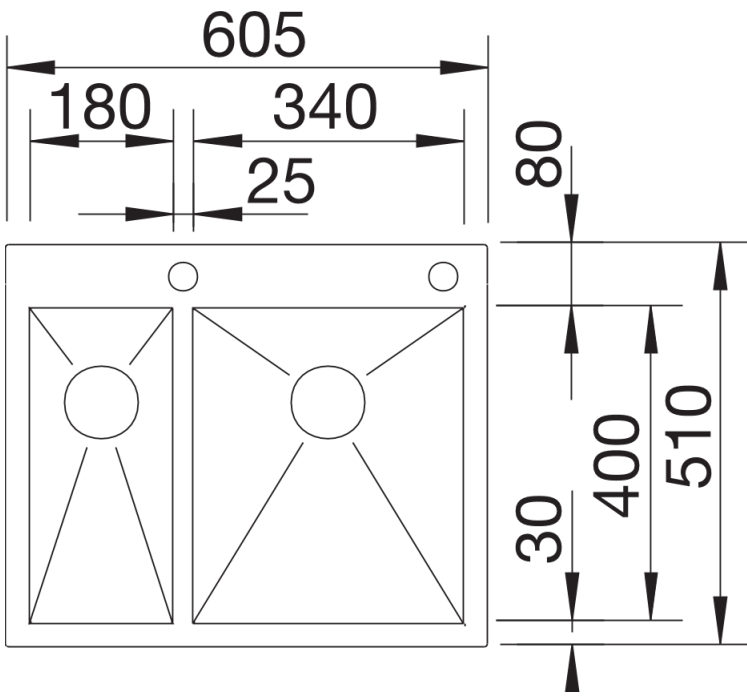
Planning information

- Special drill holes:
- all IF models with a tap ledge can be configured with individually positioned drill holes for an additional fee.

Scope of supply

- waste kit with space saving pipe, waste connection, 2 x 3 1/2" InFino basket strainer with drain remote control (PushControl) for the main bowl, fixing kit

Details



Top view